

PMR209, Metallized Impregnated Paper, Class X2, 250 VAC

Overview

Multilayer metallized paper encapsulated and impregnated in self-extinguishing material that meets the requirements of UL 94 V-0.

Applications

For worldwide use in contact protection, contact interference suppression, and transient suppression.

Benefits

- Approvals: ENEC, UL, cUL
- Rated voltage: 250 VAC 50/60Hz
- Capacitance range: 0.047 – 0.47 μ F
- Capacitance tolerance: \pm 20%
- Resistance range: 22 – 470 Ω
- Resistance tolerance: \pm 30%
- Lead Spacing: 15.2 – 25.4 mm
- Climatic category: 40/085/56/B, IEC 60068-1
- Tape & Reel packaging in accordance with IEC 60286-2
- RoHS compliance and lead-free terminations
- Operating temperature range of -40°C to +85°C



Legacy Part Number System

| PMR209 | M | B | 5470 | M | 047 | R30 |
|------------------------------|---------------------|----------------------------------|--|-----------------------|------------------------------|----------------------------|
| Series | Rated Voltage (VAC) | Lead Spacing (mm) | Capacitance Code (pF) | Capacitance Tolerance | Resistance (Ω) | Packaging |
| RC Snubber, Metallized Paper | M = 250 | B = 15.2 C = 20.3 E = 25.4 | The last three digits represent significant figures. The first digit specifies the total number of digits. | M = \pm 20% | Resistance Value in Ω | See Ordering Options Table |

New KEMET Part Number System

| P | 409 | Q | M | 473 | M | 250 | A | H470 |
|---------------------|------------|----------------------------------|---------------------|--|-----------------------|---------------------|----------------------------|---|
| Capacitor Class | Series | Lead Spacing (mm) | Size Code | Capacitance Code (pF) | Capacitance Tolerance | Rated Voltage (VAC) | Packaging | Resistance (Ω) |
| P= Metallized Paper | RC Snubber | Q = 15.2 C = 20.3 E = 25.4 | See Dimension Table | First two digits represent significant figures. Third digit specifies number of zeros. | M = \pm 20% | 250 = 250 | See Ordering Options Table | H plus first two digits represent significant figures. Third digit specifies number of zeros. |

Benefits cont.

- Excellent self-healing properties that ensure long life, even when subjected to frequent over-voltages
- Good resistance to ionization due to impregnated paper dielectric
- High dv/dt capability
- Impregnated paper ensures excellent stability and reliability properties, particularly in applications with continuous operation

Ordering Options Table

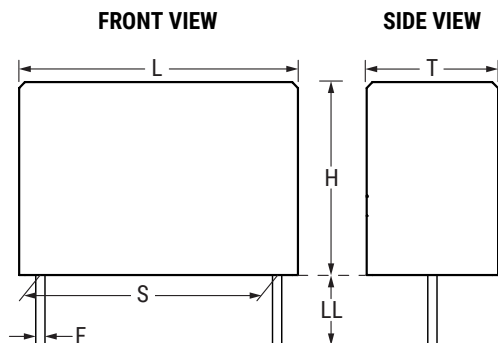
| Lead Spacing Nominal (mm) | Type of Leads and Packaging | Lead Length (mm) | KEMET Lead and Packaging Code | Legacy Lead and Packaging Code |
|---------------------------|---|----------------------|-------------------------------|--------------------------------|
| 15.2 | Standard Lead and Packaging Options | | | |
| | Bulk (Bag) – Short Leads | 6 +0/-1 | C | R06 |
| | Bulk (Bag) – Maximum Length Leads | 30 +5/-0 | A | R30 |
| | Tape & Reel (Standard Reel Φ = 360 mm) | $H_0 = 18.5 \pm 0.5$ | L | R19T0 |
| 20.3 | Standard Lead and Packaging Options | | | |
| | Bulk (Tray) – Short Leads | 6 +0/-1 | C | R06 |
| | Bulk (Bag) – Maximum Length Leads | 30 +5/-0 | A | R30 |
| | Tape & Reel (Standard Reel Φ = 360 mm) | $H_0 = 18.5 \pm 0.5$ | L | R19T0 |
| 25.4 | Standard Lead and Packaging Options | | | |
| | Bulk (Bag) – Short Leads | 6 +0/-1 | C | R06 |
| | Bulk (Tray) – Maximum Length Leads | 30 +5/-0 | A | R30 |

NOT FOR NEW DESIGN

Film Capacitors – AC Line EMI Suppression and RC Networks
PMR209, Metallized Impregnated Paper, Class X2, 250 VAC

YAGEO
KEMET

Dimensions – Millimeters



| Size Code | S | | T | | H | | L | | F | |
|-----------|---------|-----------|---------|-----------|---------|-----------|---------|-----------|---------|-----------|
| | Nominal | Tolerance | Nominal | Tolerance | Nominal | Tolerance | Nominal | Tolerance | Nominal | Tolerance |
| QM | 15.2 | ±0.4 | 7.3 | Maximum | 13.0 | Maximum | 18.5 | Maximum | 0.8 | ±0.05 |
| CE | 20.3 | ±0.4 | 7.6 | Maximum | 14.0 | Maximum | 24.0 | Maximum | 0.8 | ±0.05 |
| CP | 20.3 | ±0.4 | 11.3 | Maximum | 16.5 | Maximum | 24.0 | Maximum | 0.8 | ±0.05 |
| EJ | 25.4 | ±0.4 | 12.1 | Maximum | 19.0 | Maximum | 30.5 | Maximum | 1.0 | ±0.05 |
| EL | 25.4 | ±0.4 | 15.3 | Maximum | 22.0 | Maximum | 30.5 | Maximum | 1.0 | ±0.05 |

Note: See the Ordering Options Table for lead length (LL) options.

Performance Characteristics

| | | |
|--------------------------------|---|---|
| Rated Voltage | 250 VAC 50/60 Hz | |
| Capacitance Range | 0.047 – 0.47 μ F | |
| Capacitance Tolerance | \pm 20% | |
| Resistance Range | 22 – 470 Ω | |
| Resistance Tolerance | \pm 30% | |
| Temperature Range | -40°C to +85°C | |
| Climatic Category | 40/085/56/B | |
| Approvals | ENEC, UL, cUL | |
| Peak Pulse Voltage | 1,000 V | |
| Series Resistance | The series resistance is defined at 1 kHz for RC \geq 50 μ s and at 100 kHz for RC < 50 μ s | |
| Insulation Resistance | Minimum Values Between Terminals | |
| | C \leq 0.33 μ F | \geq 3,000 M Ω |
| | C > 0.33 μ F | \geq 1,000 M Ω \cdot μ F |
| Pulse Current | Maximum 12 A repetitive. Maximum 20 A peak for occasional transients. | |
| Test Voltage Between Terminals | The 100% screening factory test is carried out at 1,800 VDC. The voltage level is selected to meet the requirements in applicable equipment standards. All electrical characteristics are checked after the test. | |
| In DC Applications | Recommended voltage \leq 630 VDC | |
| Power Ratings | Average losses may reach 0.5 W, provided the surface temperature does not exceed +85°C. For maximum permitted power dissipation versus temperature, see Derating Curves. | |
| Derating Curves | Maximum Allowable Power Dissipation vs. Ambient Temperature and Case Sizes. | |
| | | |
| | Curve | Dimension B (mm) |
| | 1 | 7.3 |
| | 2 | 7.6 |
| | 3 | 11.3 |
| 4 | 15.3 | |



NOT FOR NEW DESIGN

Film Capacitors – AC Line EMI Suppression and RC Networks
PMR209, Metallized Impregnated Paper, Class X2, 250 VAC

Environmental Test Data

| Test | IEC Publication | Procedure |
|------------------------|-------------------------|---|
| Endurance | IEC 60384-14 | 1.25 x V _R VAC 50 Hz, once every hour increased to 1,000 VAC for 0.1 second, 1,000 hours at upper rated temperature. |
| Vibration | IEC 60068-2-6 Test Fc | 3 directions at 2 hours each, 10 – 500 Hz at 0.75 mm or 98 m/s ² |
| Bump | IEC 60068-2-29 Test Eb | 4,000 bumps at 390 m/s ² |
| Change of Temperature | IEC 60068-2-14 Test Na | Upper and lower rated temperature 5 cycles |
| Active Flammability | IEC 60384-14 | V _R + 20 surge pulses at 2.5 kV (pulse every 5 seconds) |
| Passive Flammability | IEC 60384-14 | IEC 60384-1, IEC 60695-11-5 Needle-flame test |
| Damp Heat Steady State | IEC 60068-2-78 Test Cab | +40°C and 93% RH, 56 days |

Approvals

| Certification Body | Mark | Specification | File Number |
|--------------------|---|-------------------------------------|-------------|
| Intertek Semko AB |  | EN/IEC 60384-14 | SE/0140-28D |
| UL |  | UL 60384-14 CAN/CSA-E60384-14-09 | E73869 |

Environmental Compliance

All KEMET EMI capacitors are RoHS compliant.



NOT FOR NEW DESIGN

Film Capacitors – AC Line EMI Suppression and RC Networks

PMR209, Metallized Impregnated Paper, Class X2, 250 VAC



Table 1 – Ratings & Part Number Reference

| Lead Spacing (p) | Capacitance Value (μF) | Resistance (Ω) | Maximum Dimensions in mm | | | New KEMET Part Number | Legacy Part Number |
|------------------|------------------------|----------------|--------------------------|--------|--------|-----------------------|---------------------|
| | | | B | H | L | | |
| 15.2 | 0.047 | 47 | 7.3 | 13.0 | 18.5 | P409QM473M250(1)H470 | PMR209MB5470M047(1) |
| 15.2 | 0.047 | 100 | 7.3 | 13.0 | 18.5 | P409QM473M250(1)H101 | PMR209MB5470M100(1) |
| 20.3 | 0.1 | 22 | 7.6 | 14.0 | 24.0 | P409CE104M250(1)H220 | PMR209MC6100M022(1) |
| 20.3 | 0.1 | 33 | 7.6 | 14.0 | 24.0 | P409CE104M250(1)H330 | PMR209MC6100M033(1) |
| 20.3 | 0.1 | 47 | 7.6 | 14.0 | 24.0 | P409CE104M250(1)H470 | PMR209MC6100M047(1) |
| 20.3 | 0.1 | 68 | 7.6 | 14.0 | 24.0 | P409CE104M250(1)H680 | PMR209MC6100M068(1) |
| 20.3 | 0.1 | 100 | 7.6 | 14.0 | 24.0 | P409CE104M250(1)H101 | PMR209MC6100M100(1) |
| 20.3 | 0.1 | 150 | 11.3 | 16.5 | 24.0 | P409CP104M250(1)H151 | PMR209MC6100M150(1) |
| 20.3 | 0.1 | 220 | 11.3 | 16.5 | 24.0 | P409CP104M250(1)H221 | PMR209MC6100M220(1) |
| 20.3 | 0.1 | 330 | 11.3 | 16.5 | 24.0 | P409CP104M250(1)H331 | PMR209MC6100M330(1) |
| 20.3 | 0.1 | 470 | 11.3 | 16.5 | 24.0 | P409CP104M250(1)H471 | PMR209MC6100M470(1) |
| 20.3 | 0.22 | 22 | 11.3 | 16.5 | 24.0 | P409CP224M250(1)H220 | PMR209MC6220M022(1) |
| 20.3 | 0.22 | 33 | 11.3 | 16.5 | 24.0 | P409CP224M250(1)H330 | PMR209MC6220M033(1) |
| 20.3 | 0.22 | 47 | 11.3 | 16.5 | 24.0 | P409CP224M250(1)H470 | PMR209MC6220M047(1) |
| 20.3 | 0.22 | 68 | 11.3 | 16.5 | 24.0 | P409CP224M250(1)H680 | PMR209MC6220M068(1) |
| 20.3 | 0.22 | 100 | 11.3 | 16.5 | 24.0 | P409CP224M250(1)H101 | PMR209MC6220M100(1) |
| 20.3 | 0.22 | 150 | 11.3 | 16.5 | 24.0 | P409CP224M250(1)H151 | PMR209MC6220M150(1) |
| 20.3 | 0.22 | 220 | 11.3 | 16.5 | 24.0 | P409CP224M250(1)H221 | PMR209MC6220M220(1) |
| 25.4 | 0.22 | 330 | 12.1 | 19.0 | 30.5 | P409EJ224M250(1)H331 | PMR209ME6220M330(1) |
| 25.4 | 0.22 | 470 | 15.3 | 22.0 | 30.5 | P409EL224M250(1)H471 | PMR209ME6220M470(1) |
| 25.4 | 0.47 | 33 | 15.3 | 22.0 | 30.5 | P409EL474M250(1)H330 | PMR209ME6470M033(1) |
| 25.4 | 0.47 | 47 | 15.3 | 22.0 | 30.5 | P409EL474M250(1)H470 | PMR209ME6470M047(1) |
| 25.4 | 0.47 | 68 | 15.3 | 22.0 | 30.5 | P409EL474M250(1)H680 | PMR209ME6470M068(1) |
| 25.4 | 0.47 | 100 | 15.3 | 22.0 | 30.5 | P409EL474M250(1)H101 | PMR209ME6470M100(1) |
| 25.4 | 0.47 | 150 | 15.3 | 22.0 | 30.5 | P409EL474M250(1)H151 | PMR209ME6470M150(1) |
| 25.4 | 0.47 | 220 | 15.3 | 22.0 | 30.5 | P409EL474M250(1)H221 | PMR209ME6470M220(1) |
| Lead Spacing (p) | Capacitance Value (μF) | Resistance Ω | B (mm) | H (mm) | L (mm) | New KEMET Part Number | Legacy Part Number |

(1) Insert lead and packaging code. See Ordering Options Table for available options.

Soldering Process

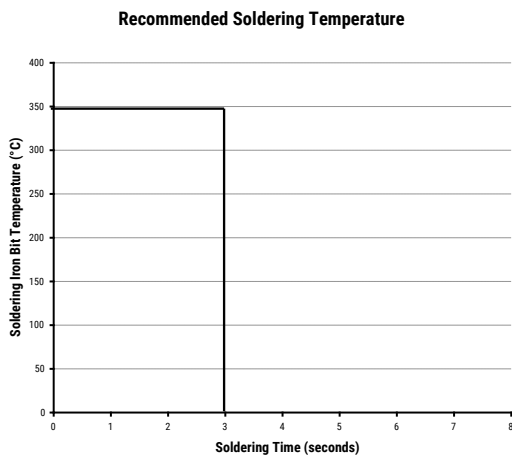
The implementation of the RoHS directive has resulted in the selection of SnAuCu (SAC) alloys or SnCu alloys as primary solder. This has increased the liquidus temperature from that of 183°C for SnPb eutectic alloy to 217 – 221°C for the new alloys. As a result, the heat stress to the components, even in wave soldering, has increased considerably due to higher pre-heat and wave temperatures. Polypropylene capacitors are especially sensitive to heat (the melting point of polypropylene is 160 – 170°C). Wave soldering can be destructive, especially for mechanically small polypropylene capacitors (with lead spacing of 5 – 15 mm), and great care must be taken during soldering. The recommended solder profiles from KEMET should be used. Consult KEMET with any questions. In general, the wave soldering curve from IEC Publication 61760-1 Edition 2 serves as a solid guideline for successful soldering. See Figure 1.

Reflow soldering is not recommended for through-hole film capacitors. Exposing capacitors to a soldering profile in excess of the recommended limits may result in degradation of or permanent damage to the capacitors.

Do not place the polypropylene capacitor through an adhesive curing oven to cure resin for surface-mount components. Insert through-hole parts after curing the surface-mount parts. Consult KEMET to discuss the actual temperature profile in the oven, if through-hole components must pass through the adhesive curing process. A maximum of two soldering cycles is recommended. Allow time for the capacitor surface temperature to return to a normal temperature before the second soldering cycle.

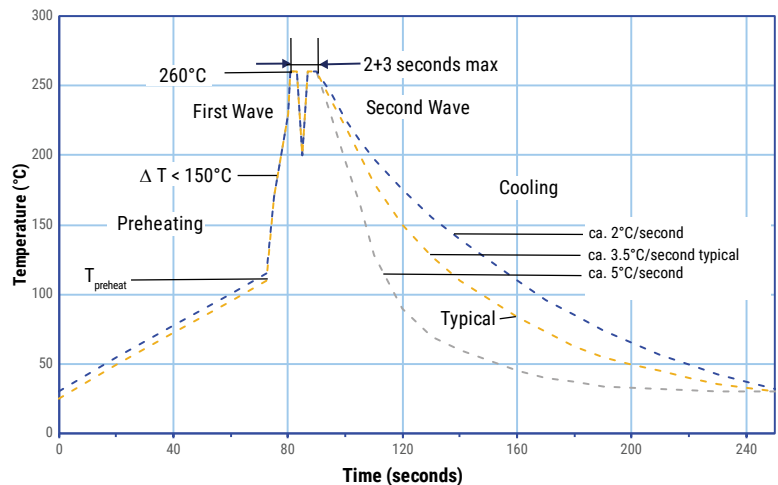
Manual Soldering Recommendations

Following is the recommendation for manual soldering with a soldering iron.



Soldering iron tip temperature should be set at 350°C (+10°C maximum), with the soldering duration not to exceed more than 3 seconds.

Wave Soldering Recommendations



Soldering Process cont.

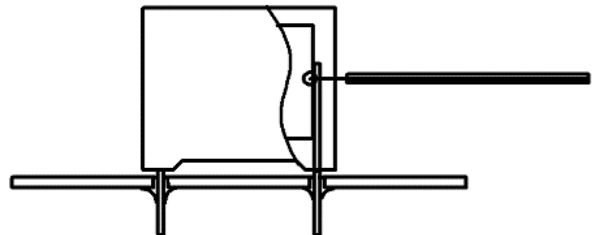
Wave Soldering Recommendations cont'd

1. The table indicates the maximum setup temperature for the soldering process.

| Dielectric film material | Maximum Preheat Temperature | | | Maximum Peak Soldering Temperature | |
|--------------------------|-----------------------------|-------------------------|-------------------------|------------------------------------|-------------------------|
| | Capacitor Pitch ≤ 10 mm | Capacitor Pitch = 15 mm | Capacitor Pitch > 15 mm | Capacitor Pitch ≤ 15 mm | Capacitor Pitch > 15 mm |
| Polyester | 130°C | 130°C | 130°C | 270°C | 270°C |
| Polypropylene | 100°C | 110°C | 130°C | 260°C | 270°C |
| Paper | 130°C | 130°C | 140°C | 270°C | 270°C |
| Polyphenylene Sulphide | 150°C | 150°C | 160°C | 270°C | 270°C |

2. The maximum temperature measured inside the capacitor: set the temperature so that inside the element the maximum temperature is below the limit.

| Dielectric Film Material | Maximum Temperature Measured Inside the Element |
|--------------------------|---|
| Polyester | 160°C |
| Polypropylene | 110°C |
| Paper | 160°C |
| Polyphenylene Sulphide | 160°C |



Temperature monitored inside the capacitor.

Selective Soldering Recommendations

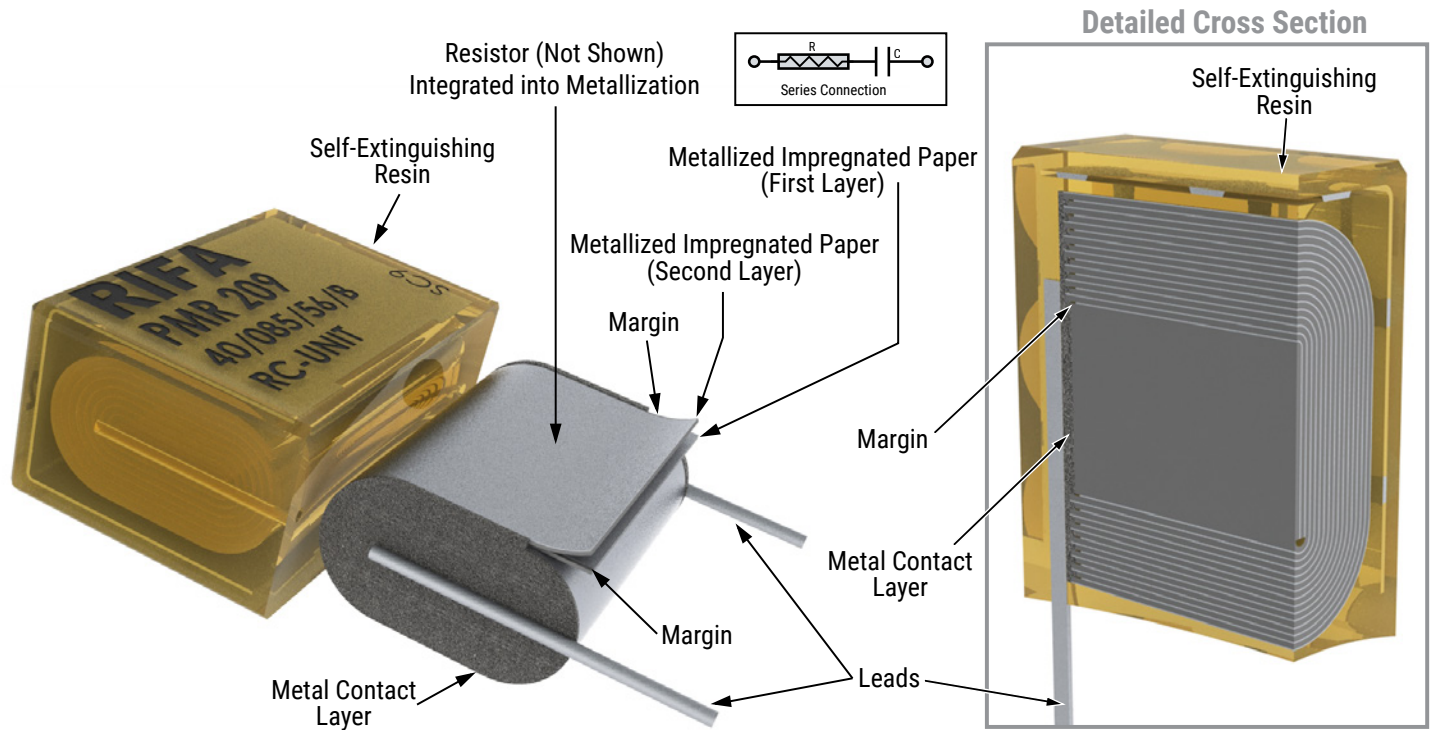
Selective dip soldering is a variation of reflow soldering. In this method, the printed circuit board with through-hole components to be soldered is preheated and transported over the solder bath, as in normal flow soldering, without touching the solder. When the board is over the bath, it is stopped. Pre-designed solder pots are lifted from the bath with molten solder, only at the places of the selected components, and pressed against the lower surface of the board to solder the components.

The temperature profile for selective soldering is similar to the double wave flow soldering outlined in this document. **However, instead of two baths, there is only one with a time from 3 to 10 seconds.** In selective soldering, the risk of overheating is greater than in double wave flow soldering. Great care must be taken so that the parts do not overheat.

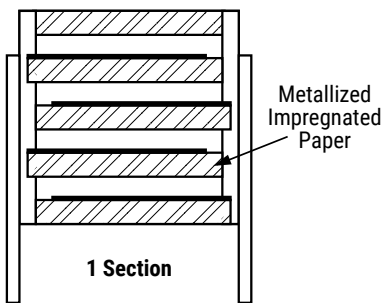
NOT FOR NEW DESIGN

Film Capacitors – AC Line EMI Suppression and RC Networks
PMR209, Metallized Impregnated Paper, Class X2, 250 VAC

Construction



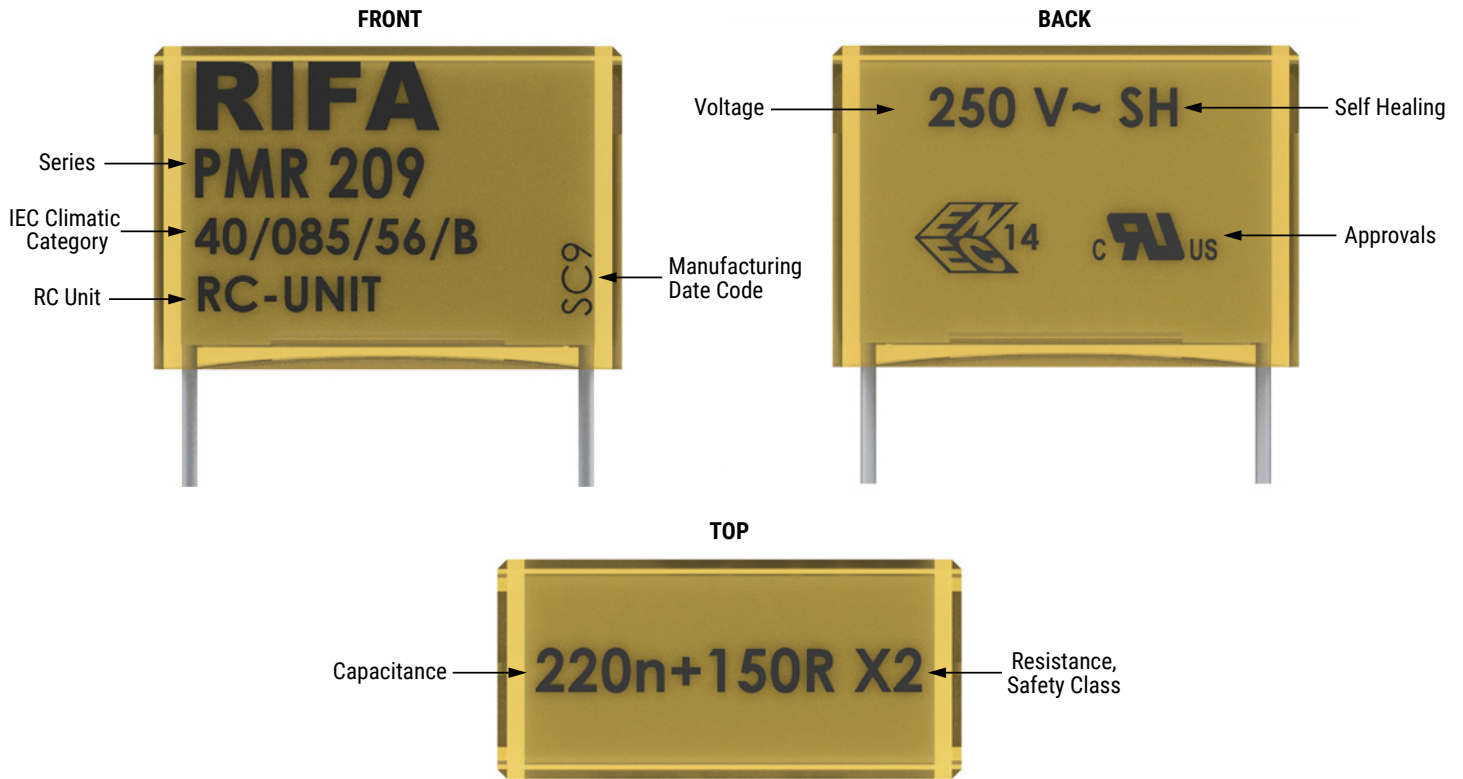
Winding Scheme



NOT FOR NEW DESIGN

Film Capacitors – AC Line EMI Suppression and RC Networks
 PMR209, Metallized Impregnated Paper, Class X2, 250 VAC

Marking



Packaging Quantities

| Size Code | Lead Spacing (mm) | Thickness (mm) | Height (mm) | Length (mm) | Bulk Short Leads | Bulk Long Leads | Standard Reel 360 mm |
|-------------------------|-------------------|----------------|-------------|-------------|------------------|-----------------|----------------------|
| Lead and Packaging Code | | | | | C/R06 | A/R30 | L/R19T0 |
| QM | 15.2 | 7.3 | 13.0 | 18.5 | 600 | 400 | 400 |
| CE | 20.3 | 7.6 | 14.0 | 24.0 | 1,530 | 250 | 250 |
| CP | 20.3 | 11.3 | 16.5 | 24.0 | 1,080 | 150 | 180 |
| EJ | 25.4 | 12.1 | 19.0 | 30.5 | 864 | 100 | |
| EL | 25.4 | 15.3 | 22.0 | 30.5 | 648 | 75 | |

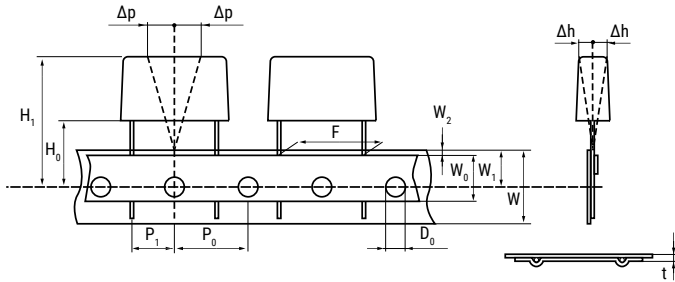
NOT FOR NEW DESIGN

Film Capacitors – AC Line EMI Suppression and RC Networks
 PMR209, Metallized Impregnated Paper, Class X2, 250 VAC

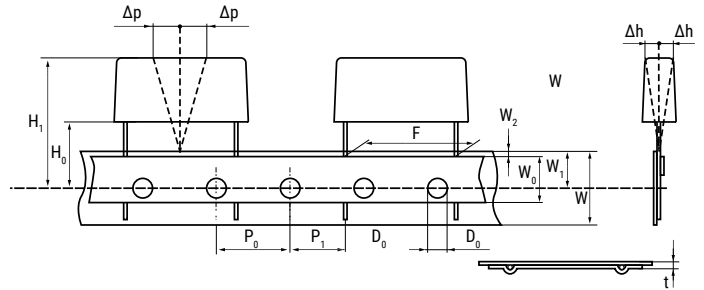
YAGEO
 KEMET

Lead Taping & Packaging (IEC 60286-2)

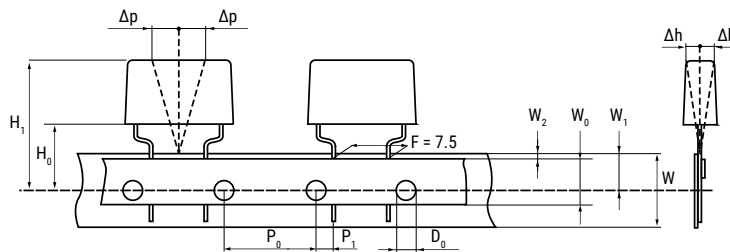
Lead Spacing 10.2 – 15.2 mm



Lead Spacing 20.3 – 22.5 mm



Formed Leads from 10.2 – 7.5 mm



Taping Specification

| Dimensions in mm | | | | | | | | Standard IEC 60286-2 |
|-------------------------------|-----------|-------------------------------|---------------------|----------|----------|----------|-------------|----------------------|
| Lead Spacing | +0.6/-0.1 | F | Formed 7.5 | 10.2 | 15.2 | 20.3 | 22.5 | F |
| Carrier Tape Width | ±0.5 | W | 18.0 | 18.0 | 18.0 | 18.0 | 18.0 | 18 +1/-0.5 |
| Hold-Down Tape Width | Minimum | W ₀ | 5.0 | 5.0 | 5.0 | 5.0 | 5.0 | |
| Position of Sprocket Hole | ±0.5 | W ₁ | 9.0 | 9.0 | 9.0 | 9.0 | 9.0 | 9 +0.75/-0.5 |
| Distance Between Tapes | Maximum | W ₂ | 3.0 | 3.0 | 3.0 | 3.0 | 3.0 | 3.0 |
| Sprocket Hole Diameter | ±0.2 | D ₀ | 4.0 | 4.0 | 4.0 | 4.0 | 4.0 | 4.0 |
| Feed Hole Lead Spacing | ±0.3 | P ₀ ⁽¹⁾ | 12.7 ⁽⁴⁾ | 12.7 | 12.7 | 12.7 | 12.7 | 12.7 |
| Distance Lead – Feed Hole | ±0.7 | P ₁ | 3.75 | 7.6 | 5.1 | 8.9 | 5.3 | P ¹ |
| Deviation Tape – Plane | Maximum | Δp | 1.3 | 1.3 | 1.3 | 1.3 | 1.3 | 1.3 |
| Lateral Deviation | Maximum | Δh | 2.0 | 2.0 | 2.0 | 2.0 | 2.0 | 2.0 |
| Total Thickness | ±0.2 | t | 0.7 | 0.7 | 0.7 | 0.7 | 0.9 Maximum | 0.9 Maximum |
| Sprocket Hole/Cap Body | Nominal | H ₀ ⁽²⁾ | 18 +2/-0 | 18 +2/-0 | 18 +2/-0 | 18 +2/-0 | 18.5 ±0.5 | 18 +2/-0 |
| Sprocket Hole/Top of Cap Body | Maximum | H ₁ ⁽³⁾ | 43 | 43 | 43 | 58 | 58 | 58 Maximum |

(1) Maximum cumulative feed hole error, 1 mm per 20 parts

(2) 16.5 mm available on request

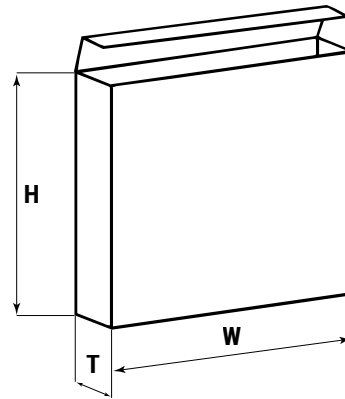
(3) Depending on case size

(4) 15 mm available on request

Lead Taping & Packaging (IEC 60286-2) cont.

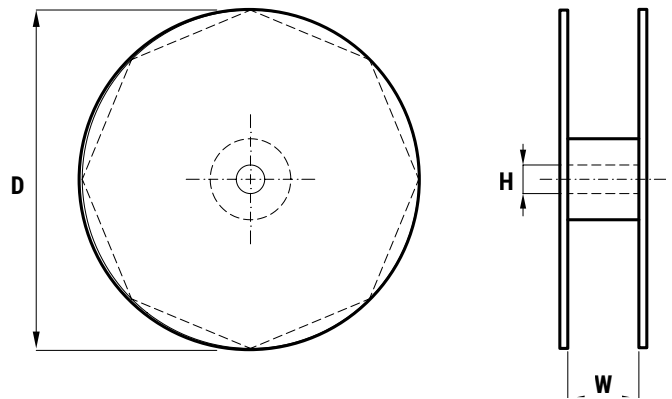
Ammo Specifications

| Series | Dimensions (mm) | | |
|------------------------|-----------------|-----|----|
| | H | W | T |
| R4x, R4x+R, R7x, RSB | 360 | 340 | 59 |
| F5A, F5B, F5D | | | |
| F6xx, F8xx | | | |
| PHExxx, PMExxx, PMRxxx | 330 | 330 | 50 |



Reel Specifications

| Series | Dimensions (mm) | | |
|------------------------|-----------------|----|----------|
| | D | H | W |
| R4x, R4x+R, R7x, RSB | 355 500 | 30 | 55 (Max) |
| F5A, F5B, F5D | | 25 | |
| F6xx, F8xx | | | |
| PHExxx, PMExxx, PMRxxx | 360 500 | 30 | 46 (Max) |



KEMET Electronics Corporation Sales Offices

For a complete list of our global sales offices, please visit www.kemet.com/sales.

Disclaimer

YAGEO Corporation and its affiliates do not recommend the use of commercial or automotive grade products for high reliability applications or manned space flight.

All product specifications, statements, information and data (collectively, the "Information") in this datasheet are subject to change. The customer is responsible for checking and verifying the extent to which the Information contained in this publication is applicable to an order at the time the order is placed. All Information given herein is believed to be accurate and reliable, but it is presented without guarantee, warranty, or responsibility of any kind, expressed or implied.

Statements of suitability for certain applications are based on KEMET Electronics Corporation's ("KEMET") knowledge of typical operating conditions for such applications, but are not intended to constitute – and KEMET specifically disclaims – any warranty concerning suitability for a specific customer application or use. The Information is intended for use only by customers who have the requisite experience and capability to determine the correct products for their application. Any technical advice inferred from this Information or otherwise provided by KEMET with reference to the use of KEMET's products is given gratis, and KEMET assumes no obligation or liability for the advice given or results obtained.

Although KEMET designs and manufactures its products to the most stringent quality and safety standards, given the current state of the art, isolated component failures may still occur. Accordingly, customer applications which require a high degree of reliability or safety should employ suitable designs or other safeguards (such as installation of protective circuitry or redundancies) in order to ensure that the failure of an electrical component does not result in a risk of personal injury or property damage.

Although all product-related warnings, cautions and notes must be observed, the customer should not assume that all safety measures are indicated or that other measures may not be required.

Additional information about production site flexibility can be found [here](#)

KEMET is a registered trademark of KEMET Electronics Corporation.