

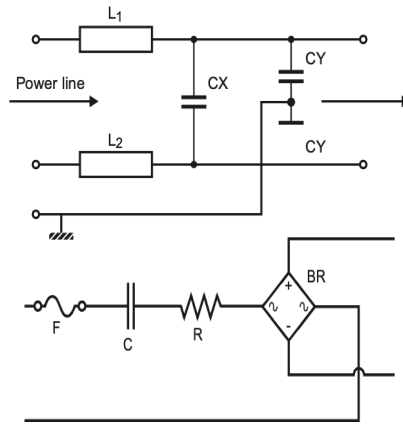
EMI Suppression Capacitors

Metallized Polypropylene Film and Paper

X/Y Suppression capacitors are used in mains-connected applications to minimize the amount of conducted common mode and differential mode electromagnetic interference present in many electrical devices. All products are UL/ENEC/CQC Certified.

Typical Application

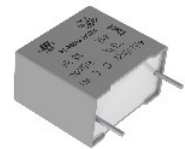
- Across the Main (EMI Noise Filtering)
 - Line-to-line (X rated) for differential mode (DM) noise
 - Line-to-ground (Y rated) for common mode (CM) noise
- In Series with the main
 - Capacitive Power Supplies
 - Power Line Communication (PLC)



R58

Key Product Highlights

- X1 Harsh Environment, Grade IIIB
 - R58 is the unique and best solution for cross-the-line applications where X1 caps work at high voltages and currents in a harsh environment.
 - X2 Harsh Environment, Grade IIB
 - R52 Miniaturized, Highest C values available
 - Y1 Harsh Environment, Grade IIB
- R4Y
- R4Y Y1 first to market capable of reaching extended service
 - Y2 Harsh Environment, Grade IIB
 - R41T High Temperature, AEC-Q200
 - SMP253 Impregnated Paper, SMD, High Reliability-stability, and dV/dt.



R4Y

Class & Series	Dielectric Type ⁽¹⁾	VAC	Max C (µF)	Max. Temp. (°C)	AEC-Q200	Harsh ⁽³⁾ Environment	Can be used in Series w/ Main
R46	MKP	310	10	110			
R46H	MKP	310	15	125			
X2 R52	MKP	310	22	110	•	• (IIB)	•
R53	MKP	310	22	110	•	• (IIIB)	•
R53B	MKP	350	20	125	•	• (IIIB)	•
F862-V054	MKP	310	4.7	110	•	• (IIB)	•
R47 V057	MKP	440	2.2	110	•	• (IB)	
PHE844	MKP	480	2.2	105	•	• (IA)	
X1 PHE845	MKP	760	1	105		• (IA)	
R58	MKP	600	8.2	110		• (IIIB)	
P278	MP	440	0.15	110			
R41 ⁽²⁾	MKP	300	1	110	•		
R41T ⁽²⁾	MKP	300	1	125	•	• (IIIB)	
Y2 R41B ⁽²⁾	MKP	350	1.2	125	•	• (IIIB)	
SMP253	MP	250	0.0047	100			
PME271Y	MP	300	0.15	115			
P295	MP	500	0.0047	115	•		
Y1 R4Y	MKP	500	0.47	115	•	• (IIB)	
PME295	MP	440/480	0.0047	115			

THB Test	Grade I	Grade II	Grade III
Test A	40 °C / 93 % RH / 21 days	40 °C / 93 % RH / 56 days	60 °C / 93 % RH / 56 days
Condition B	85 °C / 85 % RH / 168 hours	85 °C / 85 % RH / 500 hours	85 °C / 85 % RH / 1,000 hours

⁽¹⁾ MKP: Metallized PP; MP: Metallized Paper ⁽²⁾ Can be used as an X1

⁽³⁾ According to Humidity Robustness (IEC-60384-14): Three Grades (I, II, III), two test condition options (A, B).