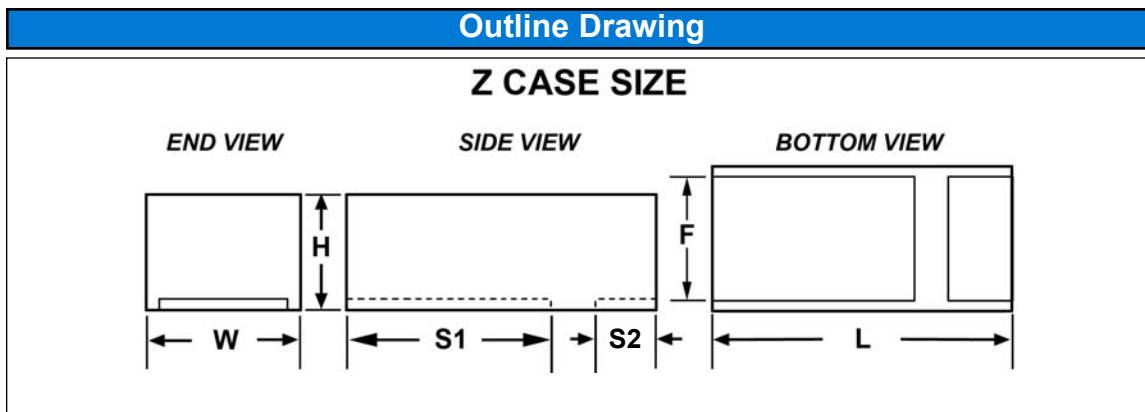


T528 Series Face Down Termination Tantalum Surface Mount Capacitor

Features	
Polymer Cathode Technology	100% Accelerated Steady State Aging
Low ESL <0.7nH @ 20 MHz	100% Surge Current Testing
High Frequency Cap Retention	Self-Healing Mechanism
Non-Ignition Failure Mode	Improved Volumetric Efficiency
Capacitance: 150 - 470 μ F	Use up to 90% V_R
Voltage (V_R): 2.5V - 6.3V	RoHS Compliant
105°C Maximum Temperature Capability	Lead Free 260°C Reflow Capable



Dimensions – Millimeters							
KEMET	EIA Size Code	L Length	W Width	H Height Max.	F LF Width ± 0.2	S1 Cathode ± 0.2	S2 Anode ± 0.2
Z	7343-17	7.3 \pm 0.40	4.3 \pm 0.30	1.7	2.8	5.1	1.3

Ordering Information

Tantalum — T — **Series** — 528 — **Case Size** — Z — **Capacitance Picofarad Code** — 337 — **Capacitance Tolerance** — M — **Failure Rate** — 2R5 — **Lead Material** — A — **ESR Suffix** — T — **Voltage** — E012

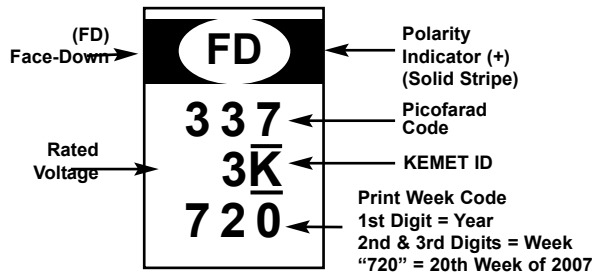
528 - Face Down Organic (FDO)
Z
First two digits represent significant figures.
Third digit specifies number of zeros to follow.
M = $\pm 20\%$

ESR Suffix
012 = 12 mOhms max
Lead Material
T = 100% Tin
Failure Rate
A = Not Applicable
Voltage
2R5 = 2 1/2 volts

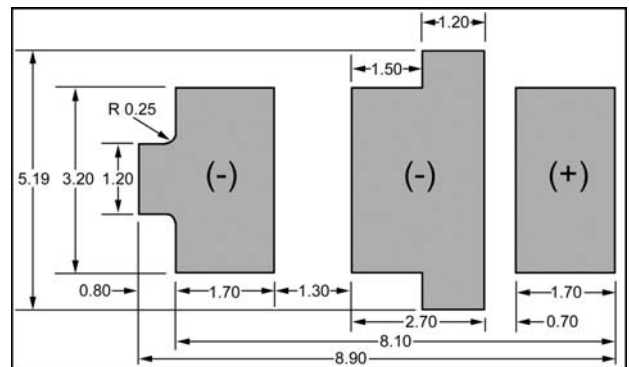
T528 Ratings & Part Number Reference

Rated Voltage (V)	Rated Capacitance (μF)	Case Code/ Case Size	KEMET Part Number	DC Leakage μA @ 20°C max/5min	DF% @ 20°C 120 Hz Max	ESR mΩ @ 20°C 100 kHz Max	Maximum allowable ripple current (mArms) 100kHz*	MSL Reflow Temp ≤ 260°C
2.5	330	Z	T528Z337M2R5ATE007	83	10	7	6800	3
	330	Z	T528Z337M2R5ATE008	83	10	8	6400	
	330	Z	T528Z337M2R5ATE009	83	10	9	6000	
	330	Z	T528Z337M2R5ATE012	83	10	12	5200	
	470	Z	T528Z477M2R5ATE008	118	10	8	6400	
	470	Z	T528Z477M2R5ATE009	118	10	9	6000	
	470	Z	T528Z477M2R5ATE012	118	10	12	5200	
4	220	Z	T528Z227M004ATE007	88	10	7	6800	
	220	Z	T528Z227M004ATE008	88	10	8	6400	
	220	Z	T528Z227M004ATE009	88	10	9	6000	
	220	Z	T528Z227M004ATE012	88	10	12	5200	
	330	Z	T528Z337M004ATE009	132	10	9	6000	
	330	Z	T528Z337M004ATE012	132	10	12	5200	
6.3	150	Z	T528Z157M006ATE007	94.5	10	7	6800	
	150	Z	T528Z157M006ATE008	94.5	10	8	6400	
	150	Z	T528Z157M006ATE009	94.5	10	9	6000	
	150	Z	T528Z157M006ATE012	94.5	10	12	5200	
	220	Z	T528Z227M006ATE009	138.6	10	9	6000	
	220	Z	T528Z227M006ATE012	138.6	10	12	5200	

Component Marking



Land Pattern Dimensions for Reflow Solder



Facedown 7343-17 will NOT fit on standard 7343 solder pads, and movement along Z axis could result in a short. Three-pad design must be used with center pad connection to circuit for low ESL properties. Dual pads on cathode connection required to prevent solder lifting with one cathode pad, and for mechanical hold. Will fit on Sanyo TPL pad specification - all dimensions equal except for 0.80mm tab extension at left cathode (-) plate as shown above.

Component Packaging

Case Code		Tape & Reel Dimensions				
KEMET	EIA	Tape Width mm	Pitch mm		Reel Quantity	
			Part	Sprocket	180mm (7" dia)	330mm (13" dia)
Z	7343-17	12.0 ±0.3	8.0 ±0.1	4.0 ±0.1	1,000	3,000

*In general, the information in the KEMET Surface Mount catalog F3102 applies to these capacitors.
The information in this bulletin supplements that in the catalog.*