

## SINGLE-ENDED LEADS - General purpose 85°C / 2000 h

### Description

Capacitors for high density printed circuit board.

### Applications

Coupling, decoupling, by-pass, filtering.

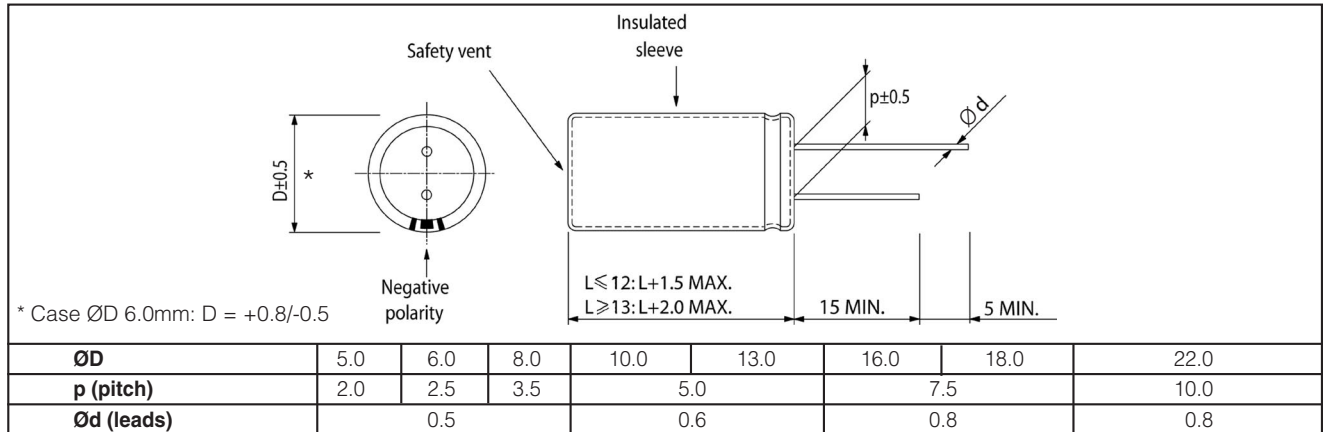
### Features

Case with  $\varnothing D \geq 6.0$  mm has the safety vent at the bottom.

### Marking

Series: (ESK), Operating temperature: (85°C)  
 Rated capacitance ( $\mu\text{F}$ ), Rated voltage: (Vdc),  
 Negative polarity: (white line), Date code

### Diagram of dimensions (Units=mm)



### Electrical characteristics

Rated voltage	6.3 to 100 Vdc	160 to 450 Vdc
Operating temperature	-40 to +85°C	-25 to +85°C
Capacitance range	0.1 $\mu\text{F}$ to 22000 $\mu\text{F}$	0.47 $\mu\text{F}$ to 470 $\mu\text{F}$ .
Capacitance tolerance	$\pm 20\%$ at 120Hz / 20°C	
Endurance test	2000 hours (see conditions in Test method and performance)	
Leakage current	$I = 0.01 CV (\mu\text{A})$ or $3\mu\text{A}$ whichever is greater	$I = 0.03 CV (\mu\text{A}) + 10\mu\text{A}$
	$C =$ rated capacitance ( $\mu\text{F}$ ); $V =$ rated voltage (Vdc) (after that DC rated voltage at 20°C has been applied for 2 min)	

### Compensation factor of ripple current (R.C.) vs. frequency

Rated voltage	Capacitance range	50 Hz	120 Hz	300 Hz	1 kHz	10 to 100 kHz
6.3 to 100 Vdc	0.1 to 68 $\mu\text{F}$	0.75	1.00	1.20	1.30	1.45
6.3 to 100 Vdc	100 to 680 $\mu\text{F}$	0.75	1.00	1.10	1.15	1.25
6.3 to 100 Vdc	1000 to 22000 $\mu\text{F}$	0.75	1.00	1.05	1.10	1.15
160 to 450 Vdc	0.47 to 220 $\mu\text{F}$	0.80	1.00	1.25	1.40	1.40
160 to 450 Vdc	330 to 470 $\mu\text{F}$	0.80	1.00	1.10	1.13	1.15

### Compensation factor of ripple current (R.C.) vs. temperature

Temperature	50°C	70°C	85°C
Multiplier factors	1.30	1.15	1.00

## SINGLE-ENDED LEADS - General purpose 85°C / 2000 h

### Test method and performance

Conditions	Load life test	Shelf life test
Temperature: Test duration: Ripple current:	85°C 2000 hours max ripple current at 120Hz 85°C specified in the table.	85°C 1000 hours no ripple current applied
Voltage:	the sum of D.C. voltage and the peak A.C. voltage must not exceed the rated voltage of capacitor.	no voltage applied.
<b>Performance</b>	The following specifications will be satisfied when the capacitors are restored at 20°C	
Capacitance change: Dissipation factor: Leakage current:	within 20% of initial value. not exceed 200% of the initial requirement. not exceed initial requirement.	within 20% of initial value. not exceed 200% of the initial requirement. not exceed initial requirement.

### Technical data and ordering codes

6.3 Vdc Rated voltage - 8 Vdc Surge voltage					
Rated cap. 120 Hz 20°C (µF)	Case size DxL (mm)	D.F. 120 Hz 25°C (tgδ %)	R.C. 120 Hz 85°C (mA <sub>rms</sub> )	L.C. 20°C 2 min. (µA)	P/N
22	5 x 11	22	35	3	ESK226M6R3AC3AA
33	5 x 11	22	55	3	ESK336M6R3AC3AA
47	5 x 11	22	75	3	ESK476M6R3AC3AA
100	5 x 11	22	130	6	ESK107M6R3AC3AA
220	5 x 11	22	200	14	ESK227M6R3AC3AA
220	6 x 11	22	240	14	ESK227M6R3AE3AA
330	6 x 11	22	260	21	ESK337M6R3AE3AA
330	8 x 11	22	300	21	ESK337M6R3AG3AA
470	6 x 11	22	330	30	ESK477M6R3AE3AA
470	8 x 11	22	380	30	ESK477M6R3AG3AA
1000	8 x 11	22	460	63	ESK108M6R3AG3AA
1000	10 x 12	22	580	63	ESK108M6R3AH1AA
2200	10 x 19	22	840	139	ESK228M6R3AH4AA
2200	13 x 20	22	1050	139	ESK228M6R3AL3AA
3300	10 x 19	22	1000	208	ESK338M6R3AH4AA
3300	13 x 20	22	1250	208	ESK338M6R3AL3AA
4700	13 x 20	22	1300	296	ESK478M6R3AL3AA
4700	16 x 25	22	1700	296	ESK478M6R3AM7AA
6800	16 x 25	22	1900	428	ESK688M6R3AM7AA
10000	16 x 25	22	1900	630	ESK109M6R3AM7AA
10000	16 x 32	22	2250	630	ESK109M6R3AM2AA
15000	16 x 36	22	2500	945	ESK159M6R3AM3AA
15000	18 x 36	22	2880	945	ESK159M6R3AN2AA
22000	18 x 40	22	3650	1386	ESK229M6R3AN3AA

10 Vdc Rated voltage - 13 Vdc Surge voltage					
Rated cap. 120 Hz 20°C (µF)	Case size DxL (mm)	D.F. 120 Hz 25°C (tgδ %)	R.C. 120 Hz 85°C (mA <sub>rms</sub> )	L.C. 20°C 2 min. (µA)	P/N
4.7	5 x 11	19	20	3	ESK475M010AC3AA
10	5 x 11	19	35	3	ESK106M010AC3AA
22	5 x 11	19	55	3	ESK226M010AC3AA
33	5 x 11	19	80	3	ESK336M010AC3AA
47	5 x 11	19	95	5	ESK476M010AC3AA
100	5 x 11	19	180	10	ESK107M010AC3AA
220	5 x 11	19	230	22	ESK227M010AC3AA
220	6 x 11	19	250	22	ESK227M010AE3AA
330	8 x 11	19	330	33	ESK337M010AG3AA
470	6 x 11	19	360	47	ESK477M010AE3AA
470	8 x 11	19	400	47	ESK477M010AG3AA
680	8 x 15	19	430	68	ESK687M010AG4AA
680	10 x 15	19	460	68	ESK687M010AH2AA
1000	10 x 12	19	580	100	ESK108M010AH1AA
1000	10 x 15	19	630	100	ESK108M010AH2AA
2200	10 x 19	19	880	220	ESK228M010AH4AA
2200	13 x 20	19	1100	220	ESK228M010AL3AA
3300	13 x 20	19	1250	330	ESK338M010AL3AA
3300	13 x 25	19	1400	330	ESK338M010AL4AA
4700	13 x 25	19	1500	470	ESK478M010AL4AA
4700	16 x 25	19	1800	470	ESK478M010AM7AA
6800	16 x 25	19	1900	680	ESK688M010AM7AA
6800	16 x 32	19	2150	680	ESK688M010AM2AA
10000	16 x 36	19	2500	1000	ESK109M010AM3AA
10000	18 x 36	19	2500	1000	ESK109M010AN2AA
15000	18 x 36	19	2950	1500	ESK159M010AN2AA
22000	22 x 40	19	3700	2200	ESK229M010AQ4AA

For capacitor whose capacitance exceeds 1000 µF the value of D.F. (%) is increased by 2% for every addition of 1000 µF

## SINGLE-ENDED LEADS - General purpose 85°C / 2000 h

16 Vdc Rated voltage - 20 Vdc Surge voltage					
Rated cap. 120 Hz 20°C (μF)	Case size DxL (mm)	D.F. 120 Hz 25°C (tgδ %)	R.C. 120 Hz 85°C (mA <sub>rms</sub> )	L.C. 20°C 2 min. (μA)	P/N
1.0	5 x 11	16	9.3	3	ESK105M016AC3AA
4.7	5 x 11	16	25	3	ESK475M016AC3AA
10	5 x 11	16	40	3	ESK106M016AC3AA
22	5 x 11	16	75	4	ESK226M016AC3AA
33	5 x 11	16	110	5	ESK336M016AC3AA
47	5 x 11	16	130	7	ESK476M016AC3AA
100	5 x 11	16	185	16	ESK107M016AC3AA
100	6 x 11	16	185	16	ESK107M016AE3AA
220	6 x 11	16	320	35	ESK227M016AE3AA
220	8 x 11	16	320	35	ESK227M016AG3AA
330	8 x 11	16	360	53	ESK337M016AG3AA
470	8 x 11	16	400	75	ESK477M016AG3AA
470	10 x 12	16	470	75	ESK477M016AH1AA
680	10 x 15	16	560	109	ESK687M016AH2AA
1000	10 x 15	16	630	160	ESK108M016AH2AA
1000	10 x 19	16	790	160	ESK108M016AH4AA
2200	13 x 20	16	1100	352	ESK228M016AL3AA
2200	13 x 25	16	1350	352	ESK228M016AL4AA
3300	13 x 25	16	1400	528	ESK338M016AL4AA
3300	16 x 25	16	1700	528	ESK338M016AM7AA
4700	16 x 25	16	1800	752	ESK478M016AM7AA
4700	16 x 32	16	2100	752	ESK478M016AM2AA
6800	16 x 36	16	2200	1088	ESK688M016AM3AA
6800	18 x 36	16	2500	1088	ESK688M016AN2AA
10000	18 x 36	16	2700	1600	ESK109M016AN2AA
15000	22 x 40	16	3150	2400	ESK159M016AQ4AA
22000	22 x 40	16	3800	3520	ESK229M016AQ4AA

25 Vdc Rated voltage - 32 Vdc Surge voltage					
Rated cap. 120 Hz 20°C (μF)	Case size DxL (mm)	D.F. 120 Hz 25°C (tgδ %)	R.C. 120 Hz 85°C (mA <sub>rms</sub> )	L.C. 20°C 2 min. (μA)	P/N
4.7	5 x 11	14	30	3	ESK475M025AC3AA
10	5 x 11	14	50	3	ESK106M025AC3AA
22	5 x 11	14	90	5	ESK226M025AC3AA
33	5 x 11	14	115	8	ESK336M025AC3AA
47	5 x 11	14	135	12	ESK476M025AC3AA
100	6 x 11	14	200	25	ESK107M025AE3AA
220	8 x 11	14	290	55	ESK227M025AG3AA
220	10 x 12	14	340	55	ESK227M025AH1AA
330	8 x 15	14	380	82	ESK337M025AG4AA
330	10 x 12	14	420	82	ESK337M025AH1AA
330	10 x 15	14	420	82	ESK337M025AH2AA
470	10 x 12	14	460	117	ESK477M025AH1AA
470	10 x 15	14	540	117	ESK477M025AH2AA
1000	10 x 19	14	760	250	ESK108M025AH4AA
1000	13 x 20	14	950	250	ESK108M025AL3AA
2200	13 x 25	14	1300	550	ESK228M025AL4AA
2200	16 x 25	14	1550	550	ESK228M025AM7AA
3300	16 x 25	14	1660	825	ESK338M025AM7AA
3300	16 x 32	14	1950	825	ESK338M025AM2AA
4700	16 x 32	14	1950	1175	ESK478M025AM2AA
4700	18 x 36	14	2360	1175	ESK478M025AN2AA
6800	18 x 36	14	2550	1700	ESK688M025AN2AA
10000	22 x 40	14	2800	2500	ESK109M025AQ4AA
15000	22 x 40	14	3200	3750	ESK159M025AQ4AA

35 Vdc Rated voltage - 44 Vdc Surge voltage					
Rated cap. 120 Hz 20°C (μF)	Case size DxL (mm)	D.F. 120 Hz 25°C (tgδ %)	R.C. 120 Hz 85°C (mA <sub>rms</sub> )	L.C. 20°C 2 min. (μA)	P/N
4.7	5 x 11	12	35	3	ESK475M035AC3AA
10	5 x 11	12	60	3	ESK106M035AC3AA
22	5 x 11	12	95	8	ESK226M035AC3AA
33	5 x 11	12	120	11	ESK336M035AC3AA
47	5 x 11	12	120	16	ESK476M035AC3AA
47	6 x 11	12	140	16	ESK476M035AE3AA
100	6 x 11	12	200	35	ESK107M035AE3AA
100	8 x 11	12	230	35	ESK107M035AG3AA
220	8 x 11	12	290	77	ESK227M035AG3AA
220	10 x 12	12	370	77	ESK227M035AH1AA
330	10 x 12	12	420	115	ESK337M035AH1AA
330	10 x 15	12	490	115	ESK337M035AH2AA
470	10 x 15	12	480	164	ESK477M035AH2AA
470	10 x 19	12	510	164	ESK477M035AH4AA
470	13 x 20	12	640	164	ESK477M035AL3AA
1000	13 x 20	12	950	350	ESK108M035AL3AA
1000	13 x 25	12	1100	350	ESK108M035AL4AA
2200	16 x 25	12	1600	770	ESK228M035AM7AA
2200	16 x 32	12	1800	770	ESK228M035AM2AA
3300	16 x 36	12	1970	1155	ESK338M035AM3AA
3300	18 x 36	12	2220	1155	ESK338M035AN2AA
4700	18 x 36	12	2400	1645	ESK478M035AN2AA
6800	22 x 40	12	2600	2380	ESK688M035AQ4AA

50 Vdc Rated voltage - 63 Vdc Surge voltage					
Rated cap. 120 Hz 20°C (μF)	Case size DxL (mm)	D.F. 120 Hz 25°C (tgδ %)	R.C. 120 Hz 85°C (mA <sub>rms</sub> )	L.C. 20°C 2 min. (μA)	P/N
0.1	5 x 11	10	1	3	ESK104M050AC3AA
0.22	5 x 11	10	2	3	ESK224M050AC3AA
0.33	5 x 11	10	3	3	ESK334M050AC3AA
0.47	5 x 11	10	5	3	ESK474M050AC3AA
1.0	5 x 11	10	10	3	ESK105M050AC3AA
2.2	5 x 11	10	23	3	ESK225M050AC3AA
3.3	5 x 11	10	35	3	ESK335M050AC3AA
4.7	5 x 11	10	40	3	ESK475M050AC3AA
10	5 x 11	10	65	5	ESK106M050AC3AA
22	5 x 11	10	100	11	ESK226M050AC3AA
33	6 x 11	10	125	16	ESK336M050AE3AA
47	6 x 11	10	140	23	ESK476M050AE3AA
47	8 x 11	10	150	23	ESK476M050AG3AA
100	8 x 11	10	230	50	ESK107M050AG3AA
100	10 x 12	10	250	50	ESK107M050AH1AA
220	10 x 12	10	360	110	ESK227M050AH1AA
220	10 x 15	10	440	110	ESK227M050AH2AA
330	10 x 15	10	490	165	ESK337M050AH2AA
330	10 x 19	10	580	165	ESK337M050AH4AA
470	10 x 19	10	610	235	ESK477M050AH4AA
470	13 x 20	10	760	235	ESK477M050AL3AA
1000	13 x 25	10	1100	500	ESK108M050AL4AA
1000	16 x 25	10	1350	500	ESK108M050AM7AA
2200	16 x 36	10	1850	1100	ESK228M050AM3AA
2200	18 x 36	10	2090	1100	ESK228M050AN2AA
3300	18 x 36	10	2170	1650	ESK338M050AN2AA
3300	18 x 40	10	2400	1650	ESK338M050AN3AA
4700	22 x 35	10	2500	2350	ESK478M050AQ3AA
4700	22 x 40	10	2500	2350	ESK478M050AQ4AA

For capacitor whose capacitance exceeds 1000 μF the value of D.F. (%) is increased by 2% for every addition of 1000 μF

## SINGLE-ENDED LEADS - General purpose 85°C / 2000 h

63 Vdc Rated voltage - 79 Vdc Surge voltage					
Rated cap. 120 Hz 20°C (μF)	Case size DxL (mm)	D.F. 120 Hz 25°C (tgδ %)	R.C. 120 Hz 85°C (mA <sub>rms</sub> )	L.C. 20°C 2 min. (μA)	P/N
0.47	5 x 11	9	5	3	ESK474M063AC3AA
1.0	5 x 11	9	10	3	ESK105M063AC3AA
2.2	5 x 11	9	29	3	ESK225M063AC3AA
3.3	5 x 11	9	40	3	ESK335M063AC3AA
4.7	5 x 11	9	45	3	ESK475M063AC3AA
10	5 x 11	9	70	6	ESK106M063AC3AA
22	6 x 11	9	115	14	ESK226M063AE3AA
33	6 x 11	9	130	21	ESK336M063AE3AA
33	8 x 11	9	140	21	ESK336M063AG3AA
47	6 x 11	9	190	30	ESK476M063AE3AA
47	8 x 11	9	190	30	ESK476M063AG3AA
100	10 x 12	9	300	63	ESK107M063AH1AA
220	10 x 15	9	410	139	ESK227M063AH2AA
220	10 x 19	9	490	139	ESK227M063AH4AA
330	10 x 19	9	540	208	ESK337M063AH4AA
330	13 x 20	9	680	208	ESK337M063AL3AA
470	13 x 25	9	880	296	ESK477M063AL4AA
1000	16 x 25	9	1310	630	ESK108M063AM7AA
1000	16 x 32	9	1550	630	ESK108M063AM2AA
2200	18 x 40	9	2200	1386	ESK228M063AN3AA
3300	22 x 40	9	2500	2079	ESK338M063AQ4AA

100 Vdc Rated voltage - 125 Vdc Surge voltage					
Rated cap. 120 Hz 20°C (μF)	Case size DxL (mm)	D.F. 120 Hz 25°C (tgδ %)	R.C. 120 Hz 85°C (mA <sub>rms</sub> )	L.C. 20°C 2 min. (μA)	P/N
0.47	5 x 11	8	10	3	ESK474M100AC3AA
1.0	5 x 11	8	21	3	ESK105M100AC3AA
2.2	5 x 11	8	30	3	ESK225M100AC3AA
3.3	5 x 11	8	45	3	ESK335M100AC3AA
4.7	5 x 11	8	50	5	ESK475M100AC3AA
10	6 x 11	8	75	10	ESK106M100AE3AA
22	8 x 11	8	130	12	ESK226M100AG3AA
33	8 x 11	8	140	33	ESK336M100AG3AA
33	10 x 12	8	170	33	ESK336M100AH1AA
47	10 x 12	8	190	47	ESK476M100AH1AA
47	10 x 15	8	230	47	ESK476M100AH2AA
100	10 x 19	8	400	160	ESK107M100AH4AA
220	13 x 25	8	710	220	ESK227M100AL4AA
330	13 x 25	8	720	330	ESK337M100AL4AA
330	16 x 25	8	860	330	ESK337M100AM7AA
470	16 x 25	8	1100	470	ESK477M100AM7AA
1000	16 x 32	8	1350	1000	ESK108M100AM2AA
1000	18 x 40	8	1680	1000	ESK108M100AN3AA
2200	22 x 40	8	2300	2200	ESK228M100AQ4AA

160 Vdc Rated voltage - 200 Vdc Surge voltage					
Rated cap. 120 Hz 20°C (μF)	Case size DxL (mm)	D.F. 120 Hz 25°C (tgδ %)	R.C. 120 Hz 85°C (mA <sub>rms</sub> )	L.C. 20°C 2 min. (μA)	P/N
0.47	5 x 11	15	12	12	ESK474M160AC3AA
1.0	5 x 11	15	17	15	ESK105M160AC3AA
2.2	6 x 11	15	26	20	ESK225M160AE3AA
3.3	6 x 11	15	30	26	ESK335M160AE3AA
3.3	8 x 11	15	35	26	ESK335M160AG3AA
4.7	6 x 11	15	32	32	ESK475M160AE3AA
4.7	8 x 11	15	40	32	ESK475M160AG3AA
10	8 x 11	15	50	58	ESK106M160AG3AA
10	10 x 12	15	65	58	ESK106M160AH1AA
22	10 x 15	15	110	116	ESK226M160AH2AA
33	10 x 19	15	150	168	ESK336M160AH4AA
47	13 x 20	15	180	236	ESK476M160AL3AA
100	13 x 25	15	250	490	ESK107M160AL4AA
100	16 x 25	15	300	490	ESK107M160AM7AA
220	16 x 32	15	450	1066	ESK227M160AM2AA
220	16 x 36	15	510	1066	ESK227M160AM3AA
330	18 x 36	15	540	1594	ESK337M160AN2AA
330	18 x 40	15	600	1594	ESK337M160AN3AA
470	22 x 40	15	900	2266	ESK477M160AQ4AA

200 Vdc Rated voltage - 250 Vdc Surge voltage					
Rated cap. 120 Hz 20°C (μF)	Case size DxL (mm)	D.F. 120 Hz 25°C (tgδ %)	R.C. 120 Hz 85°C (mA <sub>rms</sub> )	L.C. 20°C 2 min. (μA)	P/N
0.47	5 x 11	15	14	13	ESK474M200AC3AA
1.0	5 x 11	15	19	16	ESK105M200AC3AA
2.2	6 x 11	15	22	23	ESK225M200AE3AA
2.2	8 x 11	15	27	23	ESK225M200AG3AA
3.3	6 x 11	15	30	30	ESK335M200AE3AA
3.3	8 x 11	15	37	30	ESK335M200AG3AA
4.7	8 x 11	15	36	38	ESK475M200AG3AA
4.7	10 x 12	15	45	38	ESK475M200AH1AA
10	10 x 12	15	57	70	ESK106M200AH1AA
10	10 x 15	15	70	70	ESK106M200AH2AA
22	10 x 15	15	120	142	ESK226M200AH2AA
33	10 x 19	15	160	208	ESK336M200AH4AA
47	13 x 20	15	160	292	ESK476M200AL3AA
47	13 x 25	15	190	292	ESK476M200AL4AA
100	16 x 25	15	330	610	ESK107M200AM7AA
220	18 x 32	15	600	1330	ESK227M200AN1AA
220	18 x 36	15	600	1330	ESK227M200AN2AA
330	18 x 36	15	800	1990	ESK337M200AN2AA
330	18 x 40	15	800	1990	ESK337M200AN3AA
470	18 x 40	15	1000	2830	ESK477M200AN3AA

For capacitor whose capacitance exceeds 1000 μF the value of D.F. (%) is increased by 2% for every addition of 1000 μF

## SINGLE-ENDED LEADS - General purpose 85°C / 2000 h

250 Vdc Rated voltage - 300 Vdc Surge voltage					
Rated cap. 120 Hz 20°C (μF)	Case size DxL (mm)	D.F. 120 Hz 25°C (tgδ %)	R.C. 120 Hz 85°C (mA <sub>rms</sub> )	L.C. 20°C 2 min. (μA)	P/N
0.47	5 x 11	15	14	13	ESK474M250AC3AA
1.0	6 x 11	15	19	17	ESK105M250AE3AA
2.2	6 x 11	15	24	26	ESK225M250AE3AA
2.2	8 x 11	15	30	26	ESK225M250AG3AA
3.3	8 x 11	15	30	35	ESK335M250AG3AA
3.3	10 x 12	15	38	35	ESK335M250AH1AA
4.7	8 x 11	15	36	45	ESK475M250AG3AA
4.7	10 x 12	15	45	45	ESK475M250AH1AA
10	10 x 12	15	70	85	ESK106M250AH1AA
10	10 x 15	15	70	85	ESK106M250AH2AA
22	10 x 19	15	130	175	ESK226M250AH4AA
33	13 x 20	15	140	257	ESK336M250AL3AA
33	13 x 25	15	160	257	ESK336M250AL4AA
47	13 x 25	15	210	362	ESK476M250AL4AA
100	16 x 32	15	310	760	ESK107M250AM2AA
220	18 x 40	15	600	1660	ESK227M250AN3AA

350 Vdc Rated voltage - 400 Vdc Surge voltage					
Rated cap. 120 Hz 20°C (μF)	Case size DxL (mm)	D.F. 120 Hz 25°C (tgδ %)	R.C. 120 Hz 85°C (mA <sub>rms</sub> )	L.C. 20°C 2 min. (μA)	P/N
0.47	5 x 11	20	14	15	ESK474M350AC3AA
1.0	6 x 11	20	19	20	ESK105M350AE3AA
2.2	8 x 11	20	33	33	ESK225M350AG3AA
3.3	8 x 11	20	33	45	ESK335M350AG3AA
3.3	10 x 12	20	39	45	ESK335M350AH1AA
4.7	10 x 12	20	39	59	ESK475M350AH1AA
4.7	10 x 15	20	45	59	ESK475M350AH2AA
10	10 x 15	20	70	115	ESK106M350AH2AA
22	13 x 20	20	130	241	ESK226M350AL3AA
33	13 x 25	20	170	356	ESK336M350AL4AA
47	16 x 25	20	220	503	ESK476M350AM7AA
100	18 x 36	20	360	1060	ESK107M350AN2AA

400 Vdc Rated voltage - 450 Vdc Surge voltage					
Rated cap. 120 Hz 20°C (μF)	Case size DxL (mm)	D.F. 120 Hz 25°C (tgδ %)	R.C. 120 Hz 85°C (mA <sub>rms</sub> )	L.C. 20°C 2 min. (μA)	P/N
0.47	6 x 11	20	14	16	ESK474M400AE3AA
1.0	6 x 11	20	19	22	ESK105M400AE3AA
1.0	8 x 11	20	19	22	ESK105M400AG3AA
2.2	8 x 11	20	26	36	ESK225M400AG3AA
2.2	10 x 12	20	33	36	ESK225M400AH1AA
3.3	10 x 12	20	40	50	ESK335M400AH1AA
4.7	10 x 15	20	45	66	ESK475M400AH2AA
10	10 x 19	20	56	130	ESK106M400AH4AA
10	13 x 20	20	70	130	ESK106M400AL3AA
22	13 x 25	20	110	274	ESK226M400AL4AA
22	16 x 25	20	130	274	ESK226M400AM7AA
33	16 x 25	20	170	406	ESK336M400AM7AA
33	18 x 20	20	130	406	ESK336M400AN4AA
47	16 x 25	20	180	574	ESK476M400AM7AA
47	16 x 32	20	220	574	ESK476M400AM2AA
100	18 x 36	20	360	1210	ESK107M400AN2AA

450 Vdc Rated voltage - 500 Vdc Surge voltage					
Rated cap. 120 Hz 20°C (μF)	Case size DxL (mm)	D.F. 120 Hz 25°C (tgδ %)	R.C. 120 Hz 85°C (mA <sub>rms</sub> )	L.C. 20°C 2 min. (μA)	P/N
0.47	6 x 11	20	14	16	ESK474M450AE3AA
1.0	8 x 11	20	19	23	ESK105M450AG3AA
2.2	10 x 12	20	33	40	ESK225M450AH1AA
3.3	10 x 15	20	42	54	ESK335M450AH2AA
4.7	10 x 15	20	50	73	ESK475M450AH2AA
10	13 x 20	20	60	145	ESK106M450AL3AA
10	13 x 25	20	75	145	ESK106M450AL4AA
22	16 x 25	20	130	307	ESK226M450AM7AA
33	16 x 32	20	160	455	ESK336M450AM2AA
33	16 x 36	20	180	455	ESK336M450AM3AA
47	18 x 36	20	200	644	ESK476M450AN2AA
47	18 x 40	20	230	644	ESK476M450AN3AA
100	22 x 40	20	370	1360	ESK107M450AQ4AA