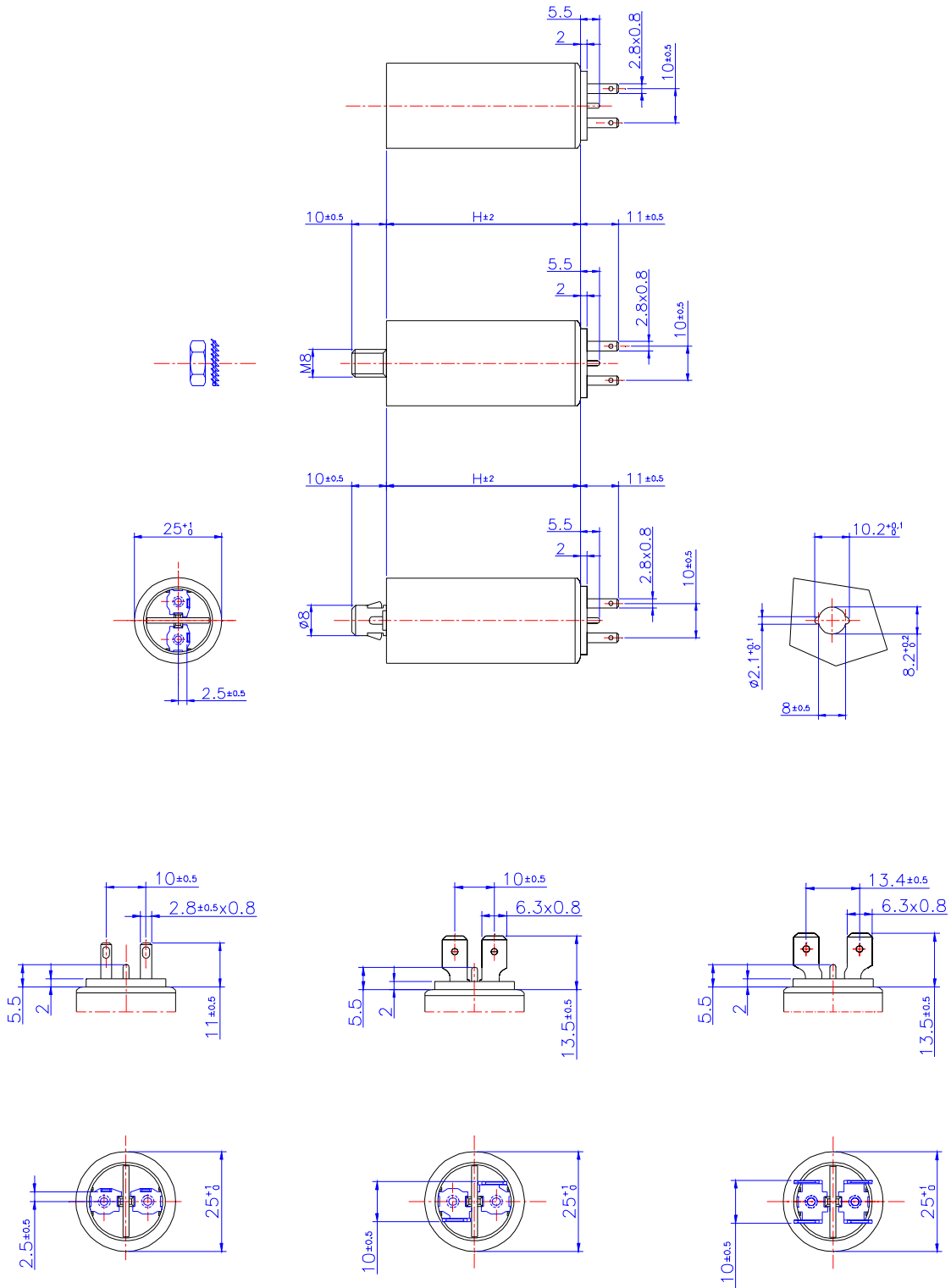


**Drawings**

**C.27 SERIES**

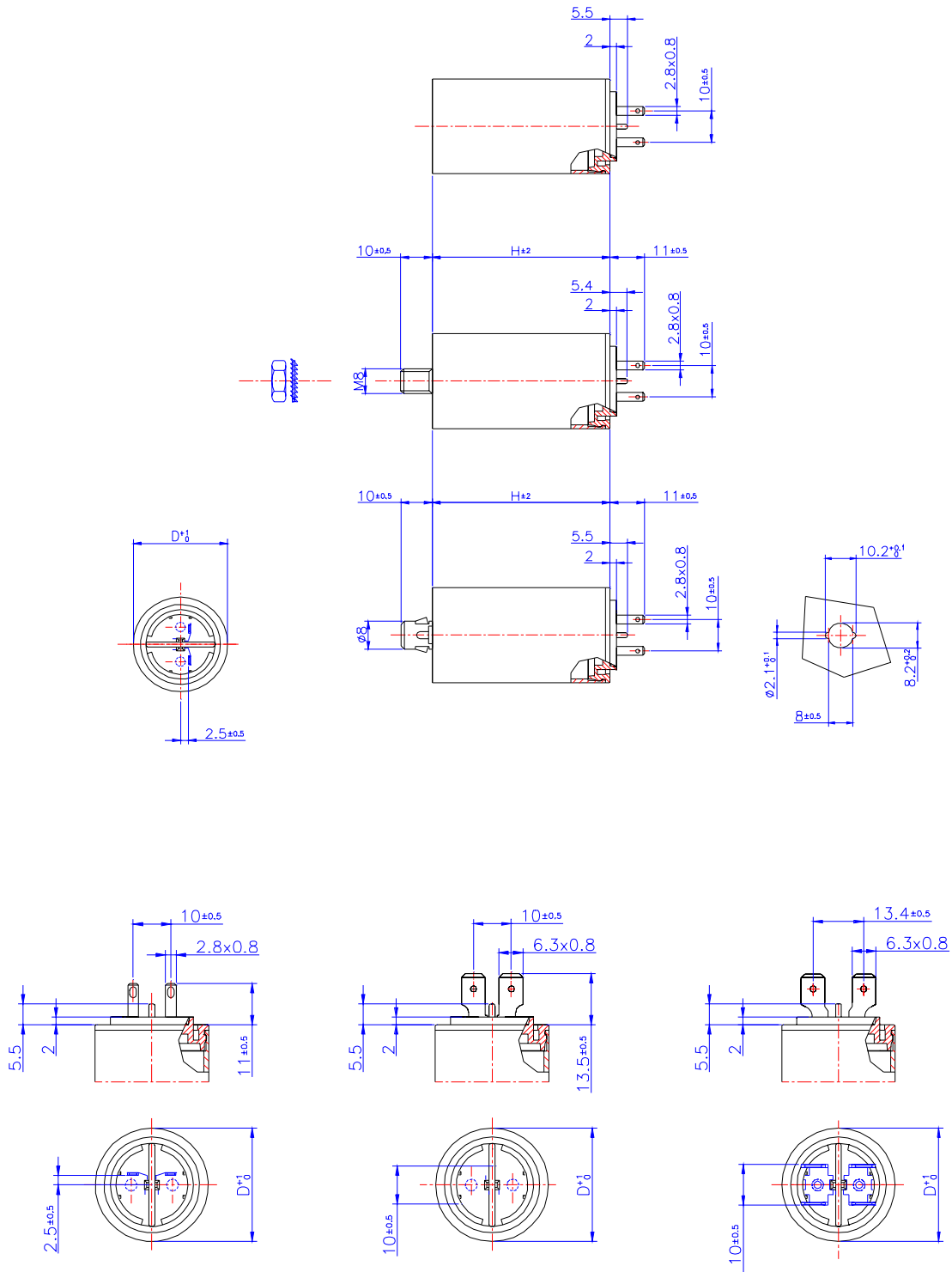
**C.87 SERIES**

TECHNICAL DRAWINGS



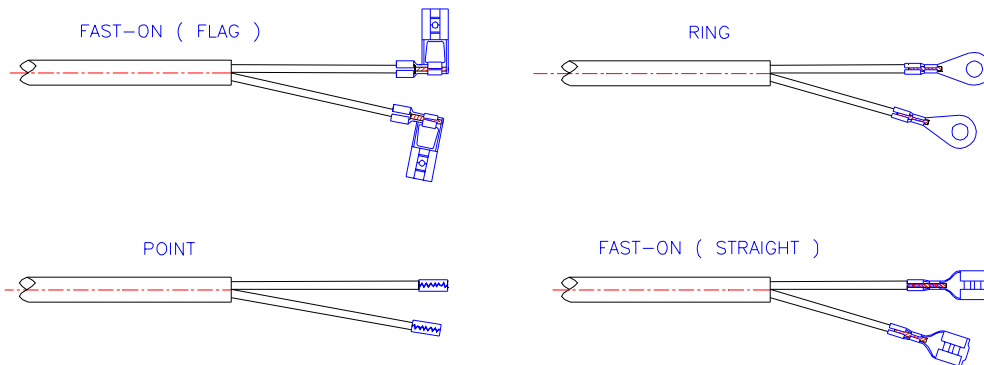
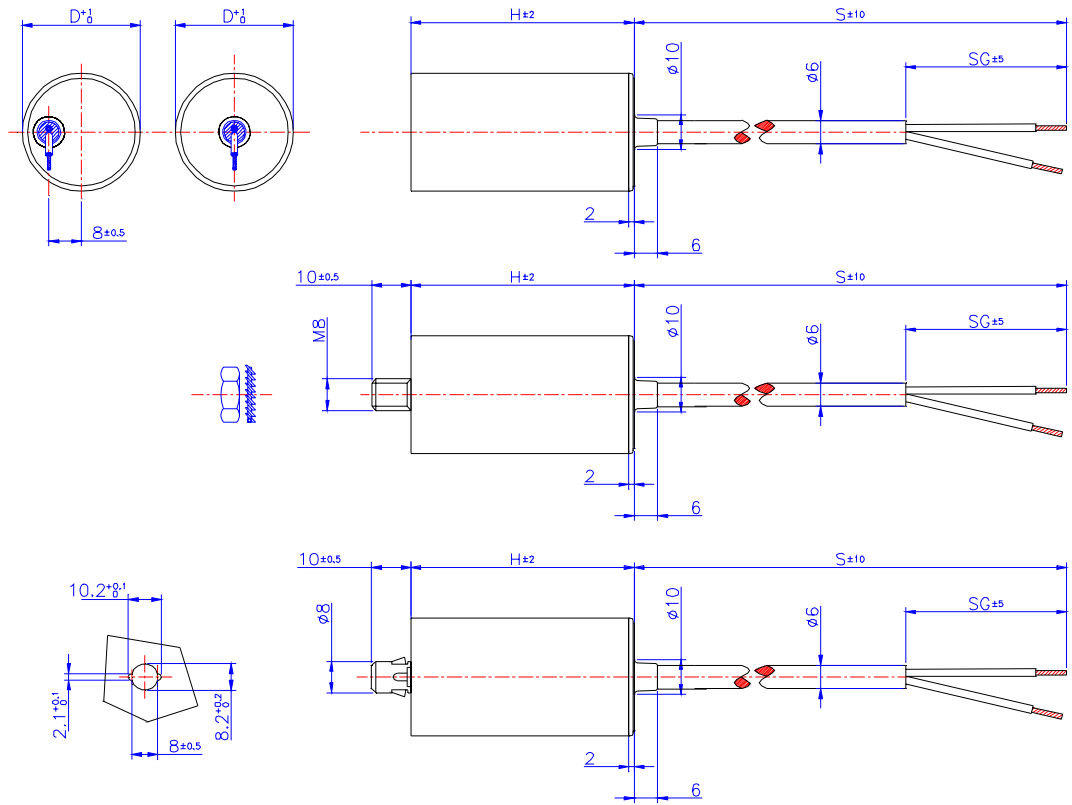
C.27 SERIES - FAST-ON EXECUTION  $\phi = 25$  mm

TECHNICAL DRAWINGS



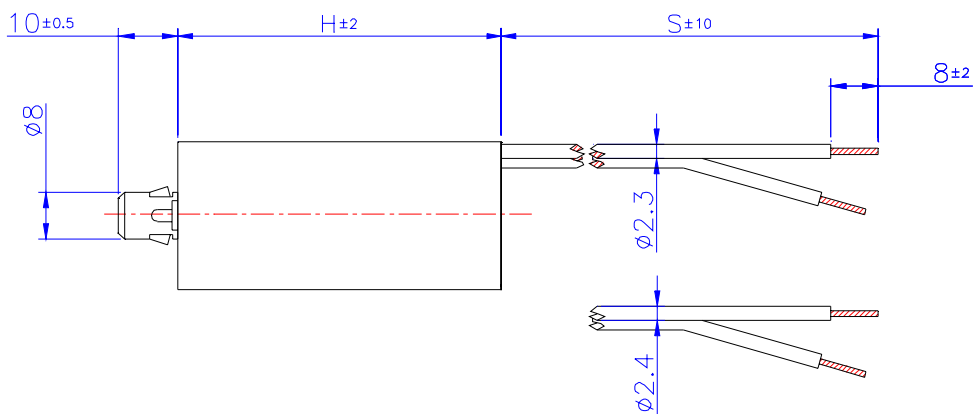
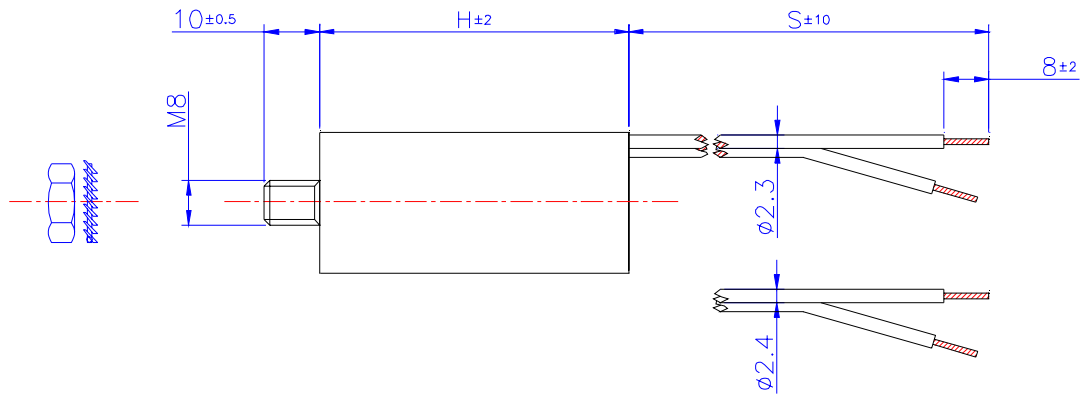
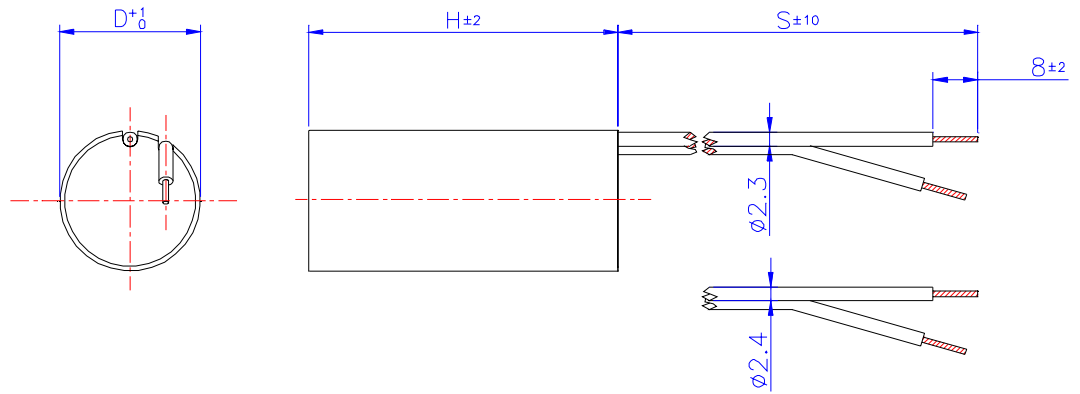
C.27 SERIES - FAST-ON EXECUTION  $\phi > 25$  mm

TECHNICAL DRAWINGS



C.27 SERIES – BIPOLAR CABLE EXECUTION

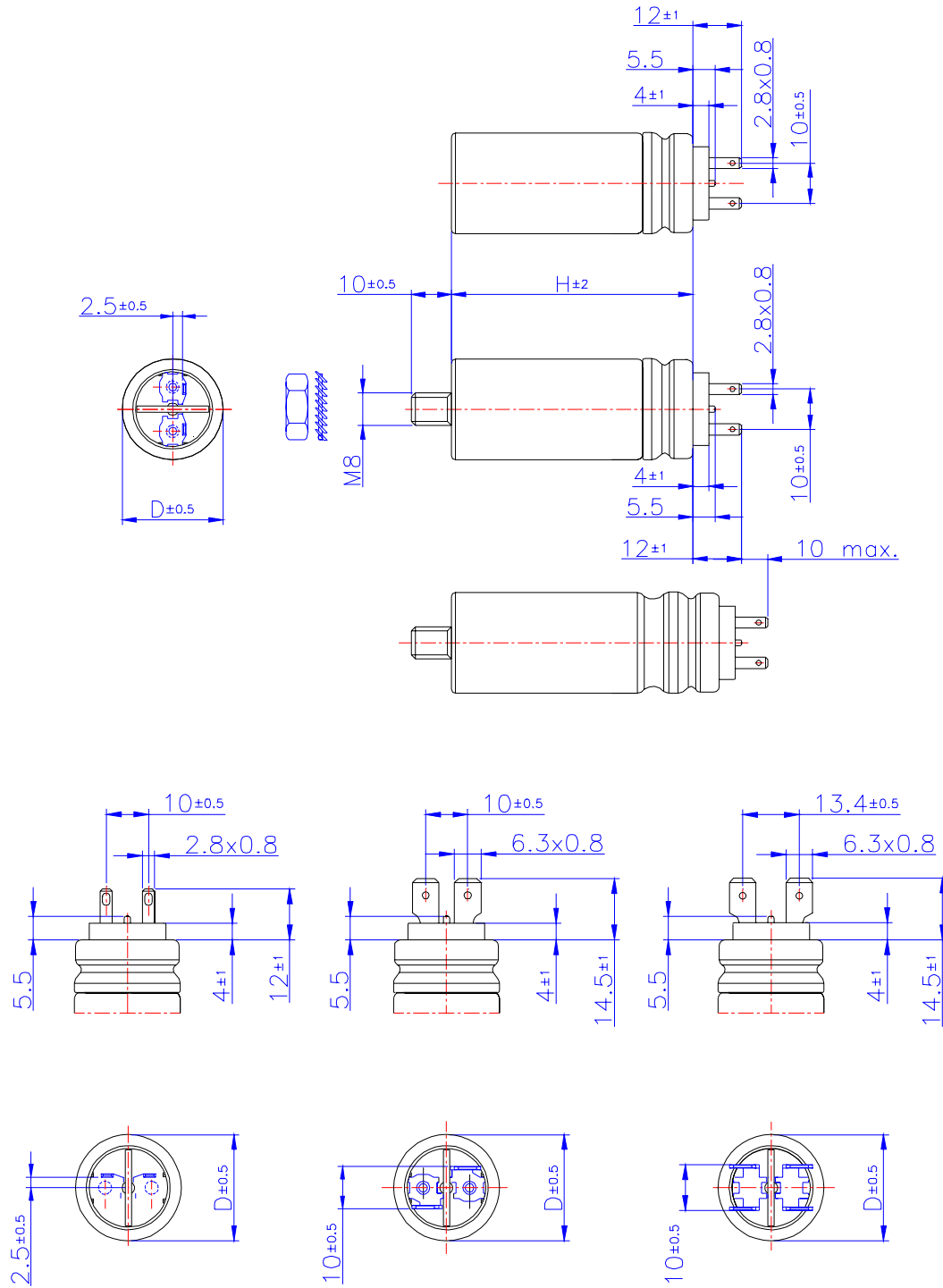
TECHNICAL DRAWINGS



C.27 SERIES – UNIPOLAR CABLE EXECUTION

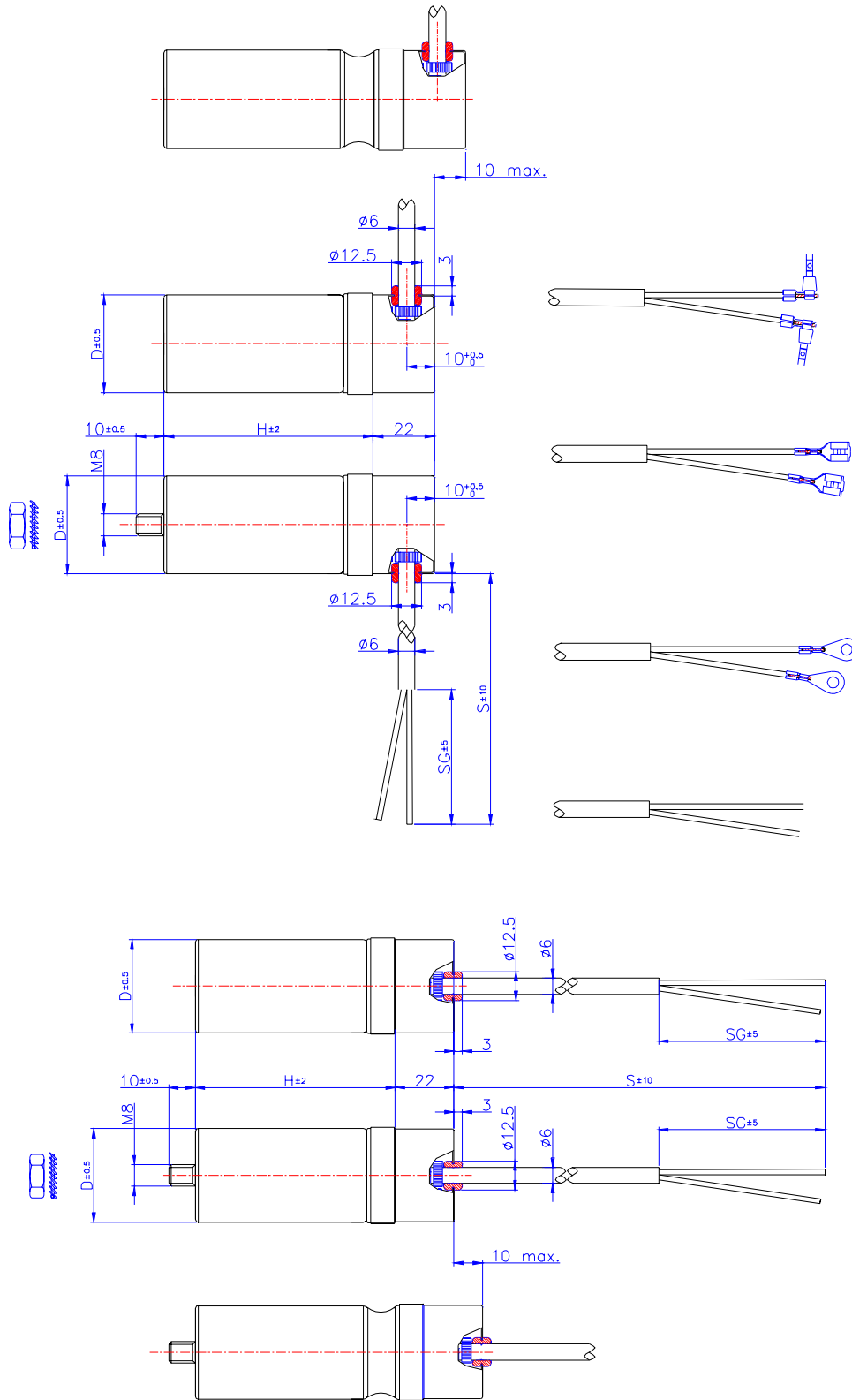


TECHNICAL DRAWINGS



C.87 SERIES - FAST-ON EXECUTION  $\phi > 25$  mm

TECHNICAL DRAWINGS



C.87 SERIES – BIPOLAR CABLE EXECUTION