

Power Line Filters

F.LL.E2 series - SR type

Shielded rooms & secure areas

The SR series of filters are designed typically for use in shielded compartment type screened rooms, secure communications areas and MRI screened facilities.

All models are manufactured to the industry standard performance range and are to a high quality, robust construction.

Each filter is designed for direct mounting through the wall of a room, bulkhead or cabinet via a threaded mounting pipe.

- Current ratings from 1A to 100A
- Industry standard high attenuation performance
- Direct mounting via pipe outlet
- Robust, quality construction
- 30A to 100A models can also be used in multiples for 3 phase and 3 phase + neutral applications

Mechanical Specifications

Manufacture: Nickel Plated steel case 1mm thick
Internal components sealed with self-extinguishing resin

Connections: Line: (see table)
Load: (see table) tri-rated cable

Mounting: Penetration pipe (see table)

Electrical Specifications

Rated voltage (V_R): (see table) Vac 50/60Hz
 Rated current (I_R): (see table) referred to 40°C
 Leakage current (I_L): (see table) A @ (see table) Vac 50Hz
 Voltage test (2_s): line to ground 2700Vdc
 (Neons disconnected where applicable)
 line to line 1700Vdc

Climatic category: HPF (25/085/21):
 Temperature range: -25°C to +85°C

Line to Ground Capacitors(C):(see table) per phase

Line Resistance(R): < (see table) mΩ

Neons: Fitted with ring tags for connection /disconnection

Filter Range

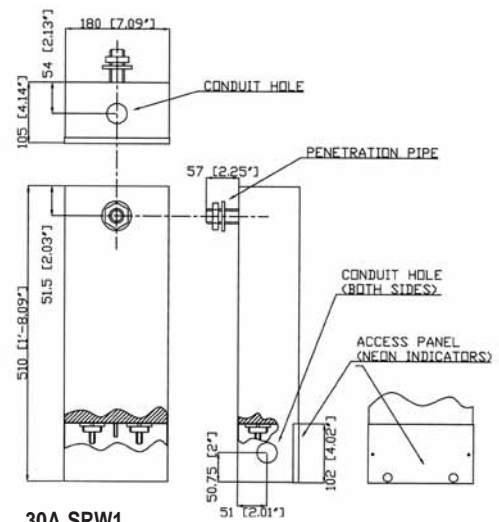
Code	V_R (Vac)	I_R (A)	I_L (A)	C (μF)	R (mΩ)	Neons	Penetration pipe	Termination Line	Load cables
F.LL.E2.001A.SR.W2	250	1	0.002 @ 220V	0.023	800	-	M25	Solder*	20 AWG x 450
F.LL.E2.005A.SR.W2	250	5	0.002 @ 220V	0.023	150	-	M25	Solder**	18 AWG x 450
F.LL.E2.030A.SR.W2	250	30	0.183 @ 220V	2	6	-	M25	M6	12 AWG x 500
F.LL.E2.030A.SR.W1	480	30	2.29 @ 277V	20	14	2	1" NPSL	M6	10 AWG x 700
F.LL.E2.060A.SR.W1	480	60	2.29 @ 277V	20	5.5	2	1" NPSL	M8	6 AWG x 700
F.LL.EU.100A.SR.W1	277	100	4.96 @ 277V	43.2	3.2	1	1" NPSL	M10	2 AWG x 700

*Wiretag accepts 0.75mm² Note: NPSL = National Pipe Straight Locknut

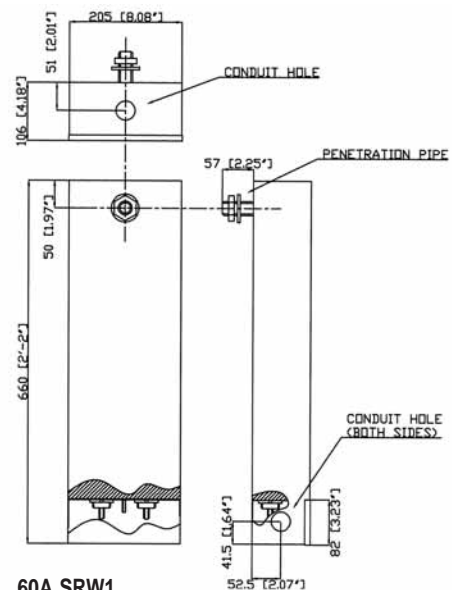
**Wiretag accepts 1mm²



Dimensions (mm) and connections

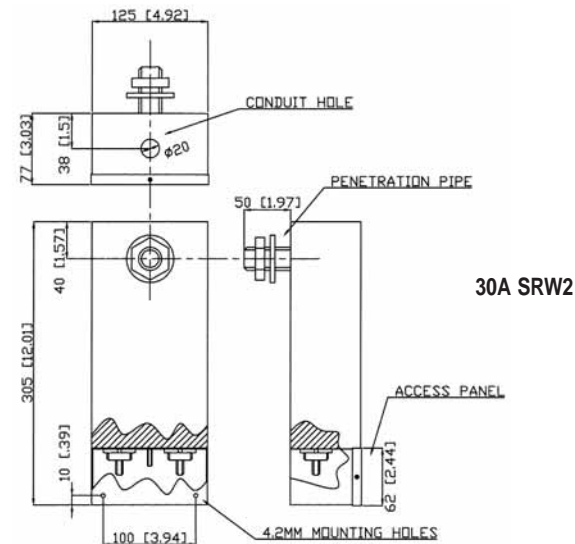
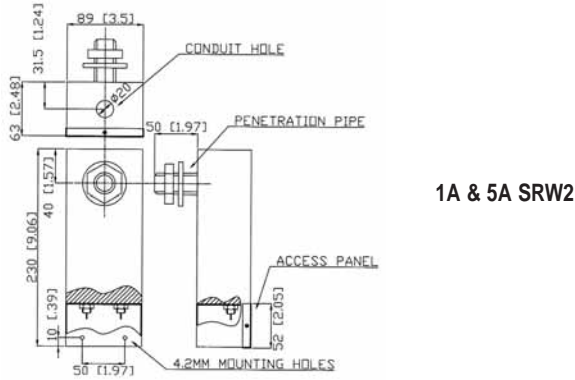
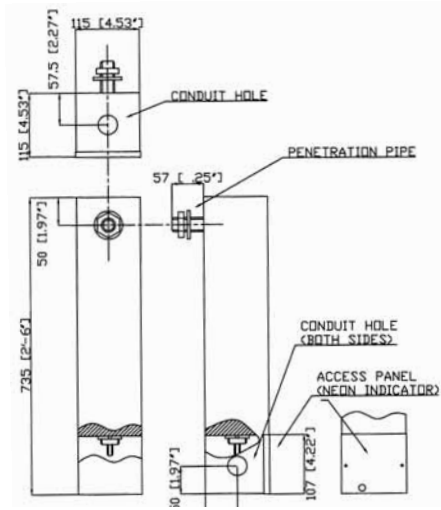


30A SRW1

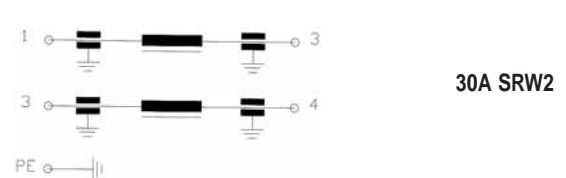
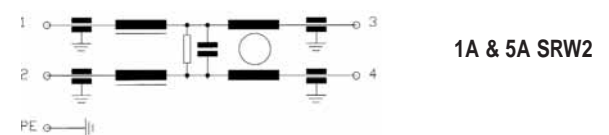
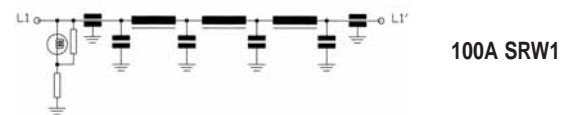
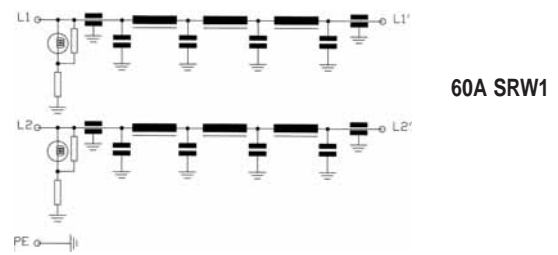
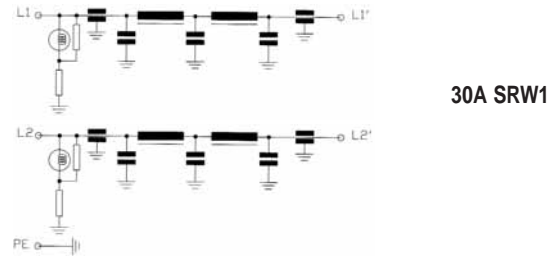


60A SRW1

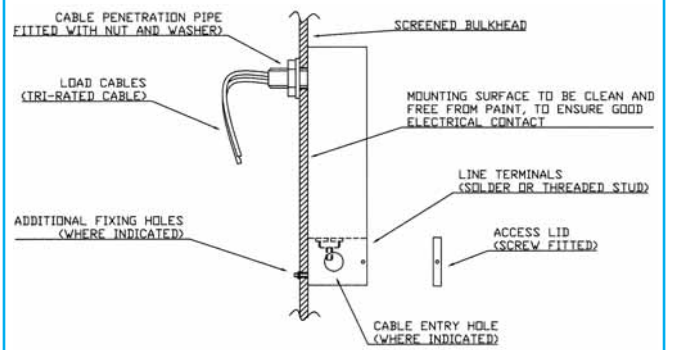
Dimensions (mm) and connections



Circuit diagram



Mounting diagram



Worldwide Sales Offices

FRANCE Tel: +33 1 69536400
 GERMANY Tel: +49 911 756184
 GREAT BRITAIN Tel: +44 (0)1327 351515
 ITALY Tel: +39 051 939111
 JAPAN Tel: +81 3 34428151
 USA Tel: +1 631 5639568

HEAD OFFICE & MANUFACTURING
 KEMET, Wood Burcote Trading Estate,
 Burcote Road, Towcester, Northants NN12 6LX. UK
 Tel: +44 (0)1327 351515
 Fax: +44 (0)1327 353761
 Web: www.kemet.com