

C0G DIELECTRIC

STYLE	HV60		HV61				HV62				HV63					HV64					HV65					HV66																	
	L MAX	.250 (6.35)	.320 (8.13)				.370 (9.40)				.470 (11.94)					.570 (14.48)					.670 (17.02)					.770 (19.56)																	
	W MAX	.220 (5.59)	0.280 (7.11)				.300 (7.62)				.400 (10.16)					.500 (12.70)					.600 (15.24)					.720 (18.29)																	
T MAX	.200 (5.08)																																										
S± .030	.170 (4.32)																																										
Lead Dia +0.004/-0.002	.025 (.635)																																										
Cap	Cap Code	WVDC		WVDC				WVDC				WVDC					WVDC					WVDC					WVDC																
		600	1k	2k	600	1k	2k	3k	600	1k	2k	3k	600	1k	2k	3k	4k	600	1k	2k	3k	4k	5k	600	1k	2k	3k	4k	5k	600	1k	2k	3k	4k	5k								
12pF	120																																										
15	150																																										
18	180																																										
22	220																																										
27	270																																										
33	330																																										
39	390																																										
47	470																																										
56	560																																										
68	680																																										
82	820																																										
100	101																																										
120	121																																										
150	151																																										
180	181																																										
220	221																																										
270	271																																										
330	331																																										
390	391																																										
470	471																																										
560	561																																										
680	681																																										
820	821																																										
1000	102																																										
1200	122																																										
1500	152																																										
1800	182																																										
2200	222																																										
2700	272																																										
3300	332																																										
3900	392																																										
4700	472																																										
5600	562																																										
6800	682																																										
8200	822																																										
0.01uF	103																																										
0.012	123																																										
0.015	153																																										
0.018	183																																										
0.022	223																																										
0.027	273																																										
0.033	333																																										
0.039	393																																										
0.047	473																																										
0.056	563																																										
0.068	683																																										

High Voltage MIL-PRF-49467 (Equivalent) HV Series

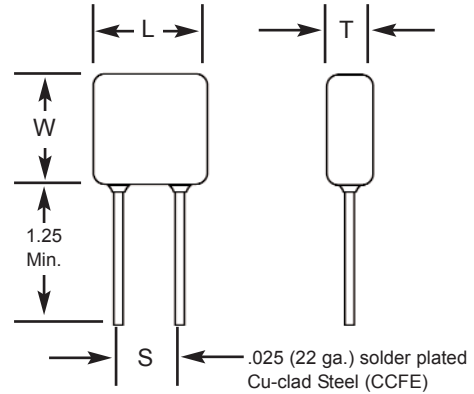
X7R DIELECTRIC

STYLE		HV60			HV61			HV62			HV63				HV64				HV65				HV66				HV 68			HV 69										
Cap	L MAX	.250 (6.35)			.320 (8.13)			.370 (9.40)			.470 (11.94)				.570 (14.48)				.670 (17.02)				.770 (19.56)				1.300 (33.02)			1.500 (38.10)										
	W MAX	.220 (5.59)			.280 (7.11)			.300 (7.62)			.400 (10.16)				.500 (12.70)				.600 (15.24)				.720 (18.29)				.600 (15.24)			.720 (18.29)										
	T MAX	.200 (5.08)			.250 (6.35)			.250 (6.35)			.270 (6.86)				.270 (6.86)				.270 (6.86)				.270 (6.86)				.270 (6.86)			.270 (6.86)										
	S ± .030	.170 (4.32)			.220 (5.59)			.275 (6.98)			.375 (9.52)				.475 (12.06)				.575 (14.60)				.675 (17.14)				1.175 (29.84)			1.375 (34.92)										
	Lead Dia. +0.004/-0.002	.025 (.635)			.025 (.635)			.025 (.635)			.025 (.635)				.025 (.635)				.025 (.635)				.025 (.635)				0.025 (.635)			0.025 (.635)										
	Cap Code	WVDC		WVDC			WVDC			WVDC				WVDC				WVDC				WVDC				WVDC			WVDC											
	600	1k	2k	600	1k	2k	3k	600	1k	2k	3k	600	1k	2k	3k	4k	600	1k	2k	3k	4k	5k	1k	2k	3k	4k	5k	1k	2k	3k	4k	5k	3k	4k	5k	3k	4k	5k		
270pF	271																																							
330	331																																							
390	391																																							
470	471																																							
560	561																																							
680	681																																							
820	821																																							
1000	102																																							
1200	122																																							
1500	152																																							
1800	182																																							
2200	222																																							
2700	272																																							
3300	332																																							
3900	392																																							
4700	472																																							
5600	562																																							
6800	682																																							
8200	822																																							
0.01uF	103																																							
0.012	123																																							
0.015	153																																							
0.018	183																																							
0.022	223																																							
0.027	273																																							
0.033	333																																							
0.039	393																																							
0.047	473																																							
0.056	563																																							
0.068	683																																							
0.082	823																																							
0.10	104																																							
0.12	124																																							
0.15	154																																							
0.18	184																																							
0.22	224																																							
0.27	274																																							
0.33	334																																							
0.39	394																																							
0.47	474																																							

FEATURES

1. Conforms to MIL-PRF-49467. (Group A Screening, Subgroup 1)
2. 100% Corona tested.
3. No IR degradation over life.
4. High density, low DF ceramic.
5. Conservative and proven design is recommended for non-repairable applications such as spacecraft.
6. CSAM inspection is available and is recommended for space applications.
7. Burn-in in a non-contaminating inert fluid is standard for $\geq 2\text{KV}$; optional for 500V or 1 KV parts.

CAPACITOR OUTLINE DRAWING



DIMENSIONS

Style	Sizes in Inches (mm) max.			Lead Spacing ± 0.030 (S)
	Length (L)	Width (W)	Thickness (T)	
HS20	.250 (6.35)	.220 (5.59)	.200 (5.08)	.170 (4.32)
HS21	.320 (8.13)	.280 (7.11)	.250 (6.35)	.220 (5.59)
HS22	.370 (9.40)	.300 (7.62)	.250 (6.35)	.275 (6.98)
HS30	.450 (11.43)	.220 (5.59)	.200 (5.08)	.300 (7.62)
HS23	.470 (11.94)	.400 (10.16)	.270 (6.89)	.375 (9.52)
HS31	.550 (13.97)	.280 (7.11)	.250 (6.35)	.400 (10.16)
HS24	.570 (14.48)	.500 (12.70)	.270 (6.89)	.475 (12.06)
HS25	.670 (17.02)	.600 (15.24)	.270 (6.89)	.575 (14.60)
HS26	.770 (19.56)	.720 (18.29)	.270 (6.89)	.675 (17.14)
HS33	.850 (21.59)	.400 (10.16)	.270 (6.89)	.700 (17.78)
HS34	1.050 (26.67)	.500 (12.70)	.270 (6.89)	.975 (24.76)
HS35	1.250 (31.75)	.600 (15.24)	.270 (6.89)	1.175 (29.84)
HS36	1.450 (36.83)	.720 (18.29)	.270 (6.89)	1.375 (34.92)

PART NUMBER AND ORDERING INFORMATION

VOLTAGE 10 **HS24** **B** 103 **K** **C** **F** **INERT LIQUID (BURN-IN)**
 05 = 500V 40 = 4000V
 10 = 1000V 50 = 5000V
 20 = 2000V 75 = 7500V
 30 = 3000V 100 = 10,000V
 Std. for $\geq 2\text{kV}$;
 Add "F" if required
 for 500V or 1kV parts

STYLE _____
 HS24, etc.

DIELECTRIC _____
 B = X7R
 N = BP C0G (NP0)

CAPACITANCE VALUE _____
 First two digits are significant,
 last digit is number of zeros,
 i.e., 103=10000pF

C=C SAM

TOLERANCE
 J = $\pm 5\%$
 K = $\pm 10\%$
 M = $\pm 20\%$
 P = 0/+100%
 Z = -20%/+80%

MARKING	
(HS20, HV21)	(All Other Sizes)
103K	HS24B103K
1 kV	1 kV
KEC	KEC
Date Code	Date Code

High Voltage Space Quality MLC (-55° to +125°C) HS Series

COG DIELECTRIC

STYLE		HS 20			HS 21			HS 22			HS 23				HS 24					HS 25					HS 26							
Cap	L MAX	.250 (6.35)	.320 (8.13)	.370 (9.40)	.470 (11.94)	.570 (14.48)					.670 (17.02)					.770 (19.56)																
	W MAX	.220 (5.59)	.280 (7.11)	.300 (7.62)	.400 (10.16)	.500 (12.70)					.600 (15.24)					.720 (18.29)																
	T MAX	.200 (5.08)	.250 (6.35)	.250 (6.35)	.270 (6.86)	.270 (6.86)					.270 (6.86)					.270 (6.86)																
S± .030	.170 (4.32)	.220 (5.59)	.275 (6.98)	.375 (9.52)	.475 (12.06)					.575 (14.60)					.675 (17.14)																	
Lead Dia. +0.004/-0.002	.025 (.635)	.025 (.635)	.025 (.635)	.025 (.635)	.025 (.635)					.025 (.635)					.025 (.635)																	
		WVDC			WVDC			WVDC			WVDC				WVDC					WVDC												
Cap Code		500	1k	2k	500	1k	2k	500	1k	2k	500	1k	2k	3k	500	1k	2k	3k	4k	5k	500	1K	2k	3k	4k	5k	500	1K	2k	3k	4k	5k
12pF	120																															
15	150																															
18	180																															
22	220																															
27	270																															
33	330																															
39	390																															
47	470																															
56	560																															
68	680																															
82	820																															
100	101																															
120	121																															
150	151																															
180	181																															
220	221																															
270	271																															
330	331																															
390	391																															
470	471																															
560	561																															
680	681																															
820	821																															
1000	102																															
1200	122																															
1500	152																															
1800	182																															
2200	222																															
2700	272																															
3300	332																															
3900	392																															
4700	472																															
5600	562																															
6800	682																															
8200	822																															
0.010uF	103																															
0.012	123																															
0.015	153																															
0.018	183																															
0.022	223																															
0.027	273																															
0.033	333																															
0.039	393																															
0.047	473																															
0.056	563																															
0.068	683																															
0.082	823																															
0.10	104																															
0.12	124																															
0.15	154																															

High Voltage Space Quality MLC (-55° to +125°C) HS Series

X7R DIELECTRIC

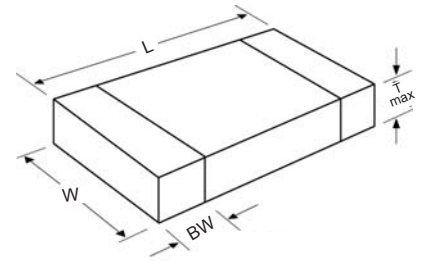
STYLE		HS 20			HS 21			HS 22			HS 23				HS 24					HS 25					HS 26						
Cap	L MAX	.250 (6.35)			.320 (8.13)			.370 (9.40)			.470 (11.94)				.570 (14.48)					.670 (17.02)					.770 (19.56)						
	W MAX	.220 (5.59)			.280 (7.11)			.300 (7.62)			.400 (10.16)				.500 (12.70)					.600 (15.24)					.720 (18.29)						
	T MAX	.200 (5.08)			.250 (6.35)			.250 (6.35)			.270 (6.86)				.270 (6.86)					.270 (6.86)					.270 (6.86)						
S± .030		.170 (4.32)			.220 (5.59)			.275 (6.98)			.375 (9.52)				.475 (12.06)					.575 (14.60)					.675 (17.14)						
Lead Dia. +0.004/-0.002		.025 (.635)			.025 (.635)			.025 (.635)			.025 (.635)				.025 (.635)					.025 (.635)					.025 (.635)						
		WVDC			WVDC			WVDC			WVDC				WVDC					WVDC					WVDC						
Cap Code		500	1k	2k	500	1k	2k	500	1k	2k	500	1k	2k	3k	500	1k	2k	3k	4k	500	1k	2k	3k	4k	5k	500	1k	2k	3k	4k	5k
270pF	271																														
330	331																														
390	391																														
470	471																														
560	561																														
680	681																														
820	821																														
1000	102																														
1200	122																														
1500	152																														
1800	182																														
2200	222																														
2700	272																														
3300	332																														
3900	392																														
4700	472																														
5600	562																														
6800	682																														
8200	822																														
0.010uF	103																														
0.012	123																														
0.015	153																														
0.018	183																														
0.022	223																														
0.027	273																														
0.033	333																														
0.039	393																														
0.047	473																														
0.056	563																														
0.068	683																														
0.082	823																														
0.10	104																														
0.12	124																														
0.15	154																														
0.18	184																														
0.22	224																														
0.27	274																														
0.33	334																														
0.39	394																														
0.47	474																														
0.56	564																														
0.68	684																														
0.82	824																														
1.0	105																														
1.2	125																														
1.5	155																														
1.8	185																														
2.2	225																														
2.7	275																														

High Voltage Ceramic Chip (+125°C) Military Equivalent

FEATURES

1. The ceramic chip capacitors described in this section are the types used in our other high voltage ceramic multilayer product lines.
2. Types BP available as described in MIL-PRF-49467.
3. Group A and B screening per MIL-PRF-49467 available. - TCVC exceptions apply.
4. Ceramic chip capacitors are extremely sensitive to thermal shock damage during installation. Wherever possible, processes involving infrared or vapor phase soldering systems should be utilized.
5. Higher voltages available upon request.
6. Where nickel barrier termination is required, bandwidth dimensions may exceed the standard dimension listed.

CERAMIC CHIP OUTLINE DRAWING

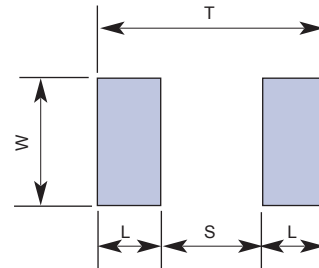


DIMENSIONS

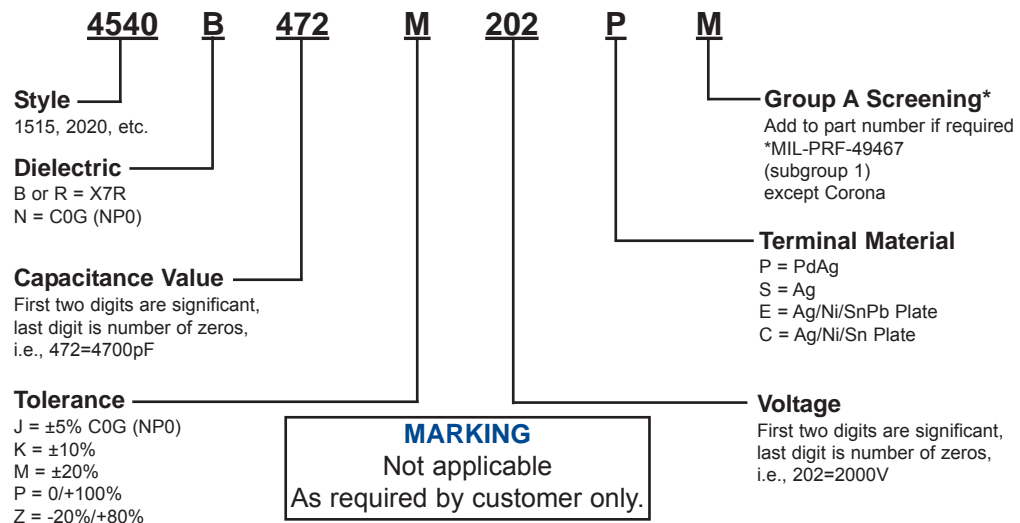
Style	Length (L) Inches (mm)	Width (W) Inches (mm)	Thickness (T) max Inches (mm)	Bandwidth (BW) Inches
1515	.150 ±.015 (3.81 ±.38)	.150 ±.015 (3.81 ±.38)	.140 (3.55)	.010 - .030"
1812	.180 ±.020 (4.57 ±.51)	.120 ±.015 (3.05 ±.38)	.100 (2.54)	.010 - .040"
1825	.180 ±.020 (4.57 ±.51)	.250 ±.020 (6.35 ±.51)	.160 (4.07)	.010 - .040"
2020	.200 ±.020 (5.08 ±.51)	.200 ±.020 (5.08 ±.51)	.180 (3.55)	.010 - .040"
2225	.220 ±.020 (5.59 ±.51)	.250 ±.020 (6.35 ±.51)	.200 (5.08)	.010 - .040"
2520	.250 ±.020 (6.35 ±.51)	.200 ±.020 (5.08 ±.51)	.180 (4.57)	.030 - .060"
3333	.330 ±.030 (8.38 ±.76)	.330 ±.030 (8.38 ±.76)	.220 (5.59)	.030 - .060"
3530	.350 ±.030 (8.89 ±.76)	.300 ±.030 (7.62 ±.76)	.220 (5.59)	.030 - .060"
4040	.400 ±.030 (10.2 ±.76)	.400 ±.030 (10.2 ±.76)	.220 (5.59)	.030 - .060"
4540	.450 ±.030 (11.43 ±.76)	.400 ±.030 (10.2 ±.76)	.220 (5.59)	.030 - .060"
5440	.540 ±.030 (13.7 ±.76)	.400 ±.030 (10.2 ±.76)	.220 (5.59)	.030 - .060"
5550	.550 ±.030 (14.0 ±.76)	.500 ±.030 (12.7 ±.76)	.220 (5.59)	.030 - .060"
6560	.650 ±.030 (16.5 ±.76)	.600 ±.030 (15.2 ±.76)	.220 (5.59)	.030 - .060"

RECOMMENDED SOLDER PAD PATTERN DIMENSIONS

Chip Size	T (Total Length)		S (Separation)		W (Pad Width)		L (Pad Length)	
	mm	in.	mm	in.	mm	in.	mm	in.
1515	5.20	0.205	1.90	0.075	4.34	0.171	1.65	0.065
1812	5.390	0.232	2.30	0.091	3.70	0.146	1.80	0.071
1825	5.90	0.232	2.30	0.091	6.90	0.272	1.80	0.071
2020	6.50	0.256	2.80	0.110	5.62	0.221	1.85	0.073
2225	7.00	0.276	3.30	0.130	6.80	0.268	1.85	0.073
2520	8.68	0.342	4.98	0.196	5.62	0.221	1.85	0.073
3333	10.91	0.430	7.11	0.280	9.27	0.365	1.90	0.075
3530	11.51	0.453	7.61	0.300	8.51	0.335	1.95	0.077
4040	12.88	0.507	8.88	0.350	11.05	0.435	2.00	0.079
4540	14.21	0.559	10.15	0.400	11.05	0.435	2.03	0.080
5440	16.51	0.650	10.41	0.410	11.05	0.435	3.05	0.120
5550	18.92	0.745	12.82	0.505	13.59	0.535	3.05	0.120
6560	19.80	0.780	13.20	0.520	16.13	0.635	3.30	0.130



PART NUMBER AND ORDERING INFORMATION



COG DIELECTRIC

STYLE		1515	1812	1825	2020	2225	2520	3333	3530	
Cap	L	.150 ± .015 (3.81 ± .38)	.180 ± .020 (4.57 ± .51)	.180 ± .020 (4.57 ± .51)	.200 ± .020 (5.08 ± .51)	.220 ± 0.020 (5.59 ± .51)	.250 ± .020 (6.35 ± .51)	.330 ± .030 (8.38 ± .76)	.350 ± .030 (8.89 ± .76)	
	W	.150 ± .015 (3.81 ± .38)	.120 ± .015 (3.05 ± .38)	.250 ± .020 (6.35 ± .51)	.200 ± .020 (5.08 ± .51)	.250 ± .020 (6.35 ± .51)	.200 ± .020 (5.08 ± .51)	.330 ± .030 (8.38 ± .76)	.300 ± .030 (7.62 ± .76)	
	T MAX	.140 (3.55)	.100 (2.54)	.160 (4.07)	.180 (4.57)	.200 (5.08)	.180(4.57)	.220 (5.59)	.220 (5.59)	
	Band Width	0.010-0.030	0.010-0.040	0.010-0.040	0.010-0.040	0.010-0.040	0.030-0.060	0.030-0.060	0.030-0.060	
	Cap Code	WVDC		WVDC		WVDC		WVDC		WVDC
		500 1k 2k 3k	500 1k 2k 3k	500 1k 2k 3k	500 1k 2k 3k	500 1k 2k 3k	500 1k 2k 3k	500 1k 2k 3k 4k	500 1k 2k 3k 4k	
	12pF	120								
	15	150								
	18	180								
	22	220								
	27	270								
	33	330								
	39	390								
	47	470								
	56	560								
	68	680								
	82	820								
	100	101								
	120	121								
	150	151								
	180	181								
	220	221								
	270	271								
	330	331								
	390	391								
	470	471								
	560	561								
	680	681								
	820	821								
	1000	102								
	1200	122								
	1500	152								
	1800	182								
	2200	222								
	2700	272								
	3300	332								
	3900	392								
	4700	472								
	5600	562								
	6800	682								
	8200	822								
	0.010uF	103								
	0.012	123								
	0.015	153								
	0.018	183								
	0.022	223								

High Voltage Ceramic Chip (+125°C) Military Equivalent

COG DIELECTRIC

STYLE		4040					4540					5440					5550					6560						
Cap	L	.400 ± .030 (10.16 ± .76)					.450 ± .030 (11.43 ± .76)					0.540 ± .030 (13.72 ± .76)					.550 ± .030 (13.97 ± .76)					.650 ± .030 (16.51 ± .76)						
	W	.400 ± .030 (10.16 ± .76)					.400 ± .030 (10.16 ± .76)					.400 ± .030 (10.16 ± .76)					.500 ± .030 (12.70 ± .76)					.600 ± .030 (15.20 ± .76)						
	T MAX	.220 (5.59)					.220 (5.59)					.220 (5.59)					.220 (5.59)					.220 (5.59)						
	Band Width	0.030 - 0.060					0.030 - 0.060					0.030 - 0.060					0.030 - 0.060					0.030 - 0.060						
	Cap Code	WVDC					WVDC					WVDC					WVDC					WVDC						
	500	1k	2k	3k	4k	500	1k	2k	3k	4k	5k	500	1k	2k	3k	4k	500	1k	2k	3k	4k	5k	500	1k	2k	3k	4k	5k
15pF	150																											
18	180																											
22	220																											
27	270																											
33	330																											
39	390																											
47	470																											
56	560																											
68	680																											
82	820																											
100	101																											
120	121																											
150	151																											
180	181																											
220	221																											
270	271																											
330	331																											
390	391																											
470	471																											
560	561																											
680	681																											
820	821																											
1000	102																											
1200	122																											
1500	152																											
1800	182																											
2200	222																											
2700	272																											
3300	332																											
3900	392																											
4700	472																											
5600	562																											
6800	682																											
8200	822																											
0.010uF	103																											
0.012	123																											
0.015	153																											
0.018	183																											
0.022	223																											
0.027	273																											
0.033	333																											
0.039	393																											
0.047	473																											
0.056	563																											
0.068	683																											
0.082	823																											
0.10	104																											

X7R DIELECTRIC

STYLE		1515			1812			1825				2020				2225				2520				3333				3530											
Cap	L	.150 ± .015 (3.81 ± .38)			.180 ± .020 (4.57 ± .51)			.180 ± .020 (4.57 ± .51)				.200 +.020 (5.08 ± .51)				.220 ± 0.020 (5.59 ± .51)				.250 ± .020 (6.35 ± .51)				.330 ± .030 (8.38 ± .76)				.350 ± .030 (8.89 ± .76)											
	W	.150 + .015 (3.81 ± .38)			.120 ± .015 (3.05 ± .38)			.250 ± .020 (6.35 ± .51)				.200 +.020 (5.08 ± .51)				.250 ± .020 (6.35 ± .51)				.200 +.020 (5.08 ± .51)				.330 ± .030 (8.38 ± .76)				.300 ± .030 (7.62 ± .76)											
	T MAX	.140 (3.55)			.100 (2.54)			.160 (4.07)				.180 (4.57)				.200 (5.08)				.180 (4.57)				.220 (5.59)				.220 (5.59)											
	Band Width	0.010-0.030			0.010-0.040			0.010-0.040				0.010-0.040				0.010-0.040				0.030-0.060				0.030-0.060				0.030-0.060											
	Cap Code	WVDC			WVDC			WVDC				WVDC				WVDC				WVDC				WVDC				WVDC											
	500	1k	2k	500	1k	2k	500	1k	2k	3k	500	1k	2k	3k	500	1k	2k	3k	500	1k	2k	3k	500	1k	2k	3k	500	1k	2k	3k	500	1k	2k	3k	4k				
270pF	271																																						
330	331																																						
390	391																																						
470	471																																						
560	561																																						
680	681																																						
820	821																																						
1000	102																																						
1200	122																																						
1500	152																																						
1800	182																																						
2200	222																																						
2700	272																																						
3300	332																																						
3900	392																																						
4700	472																																						
5600	562																																						
6800	682																																						
8200	822																																						
0.010uF	103																																						
0.012	123																																						
0.015	153																																						
0.018	183																																						
0.022	223																																						
0.027	273																																						
0.033	333																																						
0.039	393																																						
0.047	473																																						
0.056	563																																						
0.068	683																																						
0.082	823																																						
0.10	104																																						
0.12	124																																						
0.15	154																																						
0.18	184																																						
0.22	224																																						
0.27	274																																						
0.33	334																																						
0.39	394																																						
0.47	474																																						
0.56	564																																						
0.68	684																																						
0.82	824																																						

High Voltage Ceramic Chip (+125°C) Military Equivalent

X7R DIELECTRIC

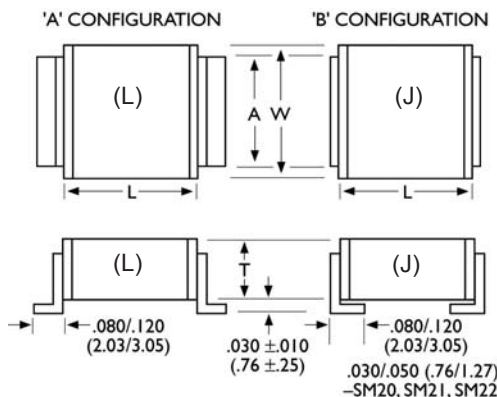
STYLE		4040					4540					5440					5550					6560							
Cap	L	.400 ± .030 (10.16 ± .76)					.450 ± .030 (11.43 ± .76)					.540 ± .030 (13.72 ± .76)					.550 ± .030 (13.97 ± .76)					.650 ± .030 (16.51 ± .76)							
	W	.400 ± .030 (10.16 ± .76)					.400 ± .030 (10.16 ± .76)					.400 ± .030 (10.16 ± .76)					.500 ± .030 (12.70 ± .76)					.600 ± .030 (15.20 ± .76)							
	T MAX	.220 (5.59)					.220 (5.59)					.220 (5.59)					.220 (5.59)					.220 (5.59)							
	Band Width	0.030 - 0.060					0.030 - 0.060					0.030 - 0.060					0.030 - 0.060					0.030 - 0.060							
	Cap Code	WVDC					WVDC					WVDC					WVDC					WVDC							
		500	1k	2k	3k	4k	500	1k	2k	3k	4k	5k	500	1k	2k	3k	4k	500	1k	2k	3k	4k	5k	500	1k	2k	3k	4k	5k
470pF	471																												
560	561																												
680	681																												
820	821																												
1000	102																												
1200	122																												
1500	152																												
1800	182																												
2200	222																												
2700	272																												
3300	332																												
3900	392																												
4700	472																												
5600	562																												
6800	682																												
8200	822																												
0.010uF	103																												
0.012	123																												
0.015	153																												
0.018	183																												
0.022	223																												
0.027	273																												
0.033	333																												
0.039	393																												
0.047	473																												
0.056	563																												
0.068	683																												
0.082	823																												
0.10	104																												
0.12	124																												
0.15	154																												
0.18	184																												
0.22	224																												
0.27	274																												
0.33	334																												
0.39	394																												
0.47	474																												
0.56	564																												
0.68	684																												
0.82	824																												
1.0	105																												
1.2	125																												
1.5	155																												
1.8	185																												
2.2	225																												
2.7	275																												

FEATURES

1. Silver plated copper alloy terminal for easy soldering.
2. Mounting tabs are designed to minimize the effect of thermal stress introduced by the differences in coefficient of thermal expansion between the capacitor and the mounting surface.
3. Low ESR.
4. High current discharge capability.
5. Group A and B screening per MIL-PRF-49467 available .
6. Standard lead configuration is 'B'.(J) If lead configuration is left out of part number the lead style is assumed to be 'B'.

CAPACITOR OUTLINE DRAWING

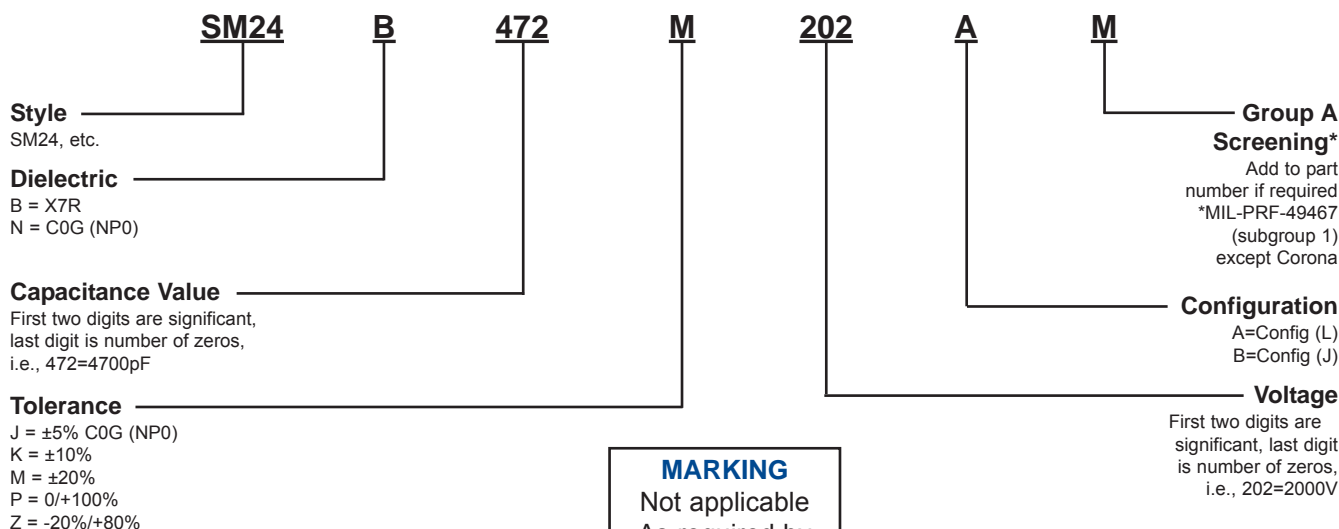
STANDARD



DIMENSIONS

Style	Length (L) Inches (mm)	Width (W) Inches (mm)	Thickness (T) max Inches (mm)	Tab (A) max Inches (mm)
SM20	.150 ±.015 (3.81 ±.38)	.150 ±.015 (3.81 ±.38)	.130 (3.30)	.100 (2.54)
SM21	.200 ±.020 (5.08 ±.51)	.200 ±.020 (5.08 ±.51)	.180 (4.57)	.100 (2.54)
SM22	.250 ±.020 (6.35 ±.51)	.200 ±.020 (5.08 ±.51)	.180 (4.57)	.100 (2.54)
SM23	.350 ±.030 (8.89 ±.76)	.300 ±.030 (7.62 ±.76)	.220 (5.59)	.200 (5.08)
SM24	.450 ±.030 (11.43 ±.76)	.400 ±.030 (10.20 ±.76)	.220 (5.59)	.300 (7.62)
SM25	.550 ±.030 (14.00 ±.76)	.500 ±.030 (12.70 ±.76)	.220 (5.59)	.400 (10.2)
SM26	.650 ±.030 (16.50 ±.76)	.600 ±.030 (15.20 ±.76)	.220 (5.59)	.500 (12.7)
SM30	.300 ±.030 (7.62 ±.76)	.150 ±.015 (3.81 ±.38)	.140 (3.55)	.100 (2.54)
SM31	.400 ±.030 (10.20 ±.76)	.200 ±.020 (5.08 ±.51)	.130 (3.30)	.100 (2.54)
SM33	.700 ±.030 (17.08 ±.76)	.300 ±.030 (7.62 ±.76)	.180 (4.57)	.200 (5.08)
SM34	.900 ±.030 (22.90 ±.76)	.400 ±.030 (10.20 ±.76)	.220 (5.59)	.300 (7.62)
SM35	1.100 ±.030 (27.90 ±.76)	.500 ±.030 (12.70 ±.76)	.220 (5.59)	.400 (10.2)
SM36	1.350 ±.030 (33.00 ±.76)	.600 ±.030 (15.20 ±.76)	.220 (5.59)	.500 (12.7)

PART NUMBER AND ORDERING INFORMATION



MARKING
Not applicable
As required by customer only.

High Voltage L and J Leaded Ceramic Capacitor SM Series

COG DIELECTRIC

STYLE		SM20				SM21				SM22				SM23				SM24					SM25					SM26											
Cap	L	.150 ± .015 (3.31 ± .38)				.200 ± .020 (5.08 ± .51)				.250 ± .020 (6.35 ± .51)				.350 ± .030 (8.89 ± .76)				.450 ± .030 (11.43 ± .76)					.550 ± .030 (14.00 ± .76)					.650 ± .030 (16.50 ± .76)											
	W	.150 ± .015 (3.31 ± .38)				.200 ± .020 (5.08 ± .51)				.200 ± .020 (5.08 ± .51)				.300 ± .030 (7.62 ± .76)				.400 ± .030 (10.20 ± .76)					.500 ± .030 (12.70 ± .76)					.600 ± .030 (15.20 ± .76)											
	T MAX	.130 (3.30)				.180 (4.57)				.180 (4.57)				.220 (5.59)				.220 (5.59)					.220 (5.59)					.220 (5.59)											
	Tab A max	.100 (2.54)				.100 (2.54)				.100 (2.54)				.200 (5.08)				.300 (7.62)					.400 (10.20)					.500 (12.70)											
	Cap Code	WVDC				WVDC				WVDC				WVDC				WVDC					WVDC					WVDC											
		500	1k	2k	3k	500	1k	2k	3k	500	1k	2k	3k	500	1k	2k	3k	4k	500	1k	2k	3k	4k	5k	500	1k	2k	3k	4k	5k	500	1k	2k	3k	4k	5k			
12pF	120																																						
15	150																																						
18	180																																						
22	220																																						
27	270																																						
33	330																																						
39	390																																						
47	470																																						
56	560																																						
68	680																																						
82	820																																						
100	101																																						
120	121																																						
150	151																																						
180	181																																						
220	221																																						
270	271																																						
330	331																																						
390	391																																						
470	471																																						
560	561																																						
680	681																																						
820	821																																						
1000	102																																						
1200	122																																						
1500	152																																						
1800	182																																						
2200	222																																						
2700	272																																						
3300	332																																						
3900	392																																						
4700	472																																						
5600	562																																						
6800	682																																						
8200	822																																						
0.01uF	103																																						
0.012	123																																						
0.015	153																																						
0.018	183																																						
0.022	223																																						
0.027	273																																						
0.033	333																																						
0.039	393																																						
0.047	473																																						
0.056	563																																						
0.068	683																																						
0.082	823																																						
0.10	104																																						

High Voltage L and J Leaded Ceramic Capacitor SM Series

X7R DIELECTRIC

STYLE		SM20			SM21			SM22			SM23			SM24			SM25			SM26									
Cap	L	.150 ± .015 (3.31 ± .38)			.200 ± .020 (5.08 ± .51)			.250 ± .020 (6.35 ± .51)			.350 ± .030 (8.89 ± .76)			.450 ± .030 (11.43 ± .76)			.550 ± .030 (14.00 ± .76)			.650 ± .030 (16.50 ± .76)									
	W	.150 ± .015 (3.31 ± .38)			.200 ± .020 (5.08 ± .51)			.200 ± .020 (5.08 ± .51)			.300 ± .030 (7.62 ± .76)			.400 ± .030 (10.20 ± .76)			.500 ± .030 (12.70 ± .76)			.600 ± .030 (15.20 ± .76)									
	T _{MAX}	.130 (3.30)			.180 (4.57)			.180 (4.57)			.220 (5.59)			.220 (5.59)			.220 (5.59)			.220 (5.59)									
	Tab A max	.100 (2.54)			.100 (2.54)			.100 (2.54)			.200 (5.08)			.300 (7.62)			.400 (10.20)			.500 (12.70)									
	Cap Code	WVDC			WVDC			WVDC			WVDC			WVDC			WVDC			WVDC									
		500	1k	2k	500	1k	2k	3k	500	1k	2k	3k	500	1k	2k	3k	4k	500	1k	2k	3k	4k	5k	500	1k	2k	3k	4k	5k
270pF	271																												
	330																												
	390																												
	470																												
	560																												
	680																												
	820																												
	1000																												
	1200																												
	1500																												
	1800																												
	2200																												
	2700																												
	3300																												
	3900																												
	4700																												
	5600																												
	6800																												
	8200																												
0.01uF	103																												
	0.012																												
	0.015																												
	0.018																												
	0.022																												
	0.027																												
	0.033																												
	0.039																												
	0.047																												
	0.056																												
	0.068																												
	0.082																												
	0.10																												
	0.12																												
	0.15																												
	0.18																												
	0.22																												
	0.27																												
	0.33																												
	0.39																												
	0.47																												
	0.56																												
	0.68																												
	0.82																												
	1.0																												
	1.2																												
	1.5																												
	1.8																												
	2.2																												
	2.7																												



World Sales Headquarters

KEMET Electronics Corporation
P.O. Box 5928
Greenville, SC 29606
Phone: 864-963-6300

Europe

KEMET Electronics S.A.
15bis chemin des Mines
1202 Geneva, Switzerland
Phone: 41-22-715-0100

Asia

KEMET Electronics Marketing PTE Ltd.
73 Bukit Timah Road
#05-01 Rex House
Singapore, 229832, Singapore
Phone: 65-6586-1900

KEMET Electronics Asia Ltd.
30 Canton Road, Room 1512
SilverCord Tower II
Tsimshatshui, Kowloon
Hong Kong
Phone: 852-2305-1168