

## Attachment I

### Summary Justifications in Support of Unique Part Numbering

- Establishes clear ordering preference, removing ambiguity over which product the supplier should ship.
- Facilitates management of compliant vs. non-compliant products in the MRP system.
- Provides accuracy for material composition reporting (IMDS, IPC-1752, etc.).
- Prevents cross-contamination of lines converted to lead free.
- Manages application risks associated with backward or forward processes.
- Allows identification of products with differing requirements between lead bearing and lead free parts (i.e., MSL ratings, peak temperature capabilities, etc.).
- Reduces the risk of using the wrong product in manufacturing and the resulting liability of such an error.

### Links to Industry Position Papers

#### iNEMI Members Want Unique Part Numbers for RoHS-Compliant Components

<http://www.inemi.org/cms/newsroom/PR/2005/PR04272005.html>

iNEMI is an industry-led consortium whose mission is to assure leadership of the global electronics manufacturing supply chain. iNEMI members support this position paper include: Alcatel, Celestica, Cray Inc., Dell, Delphi, HP, Intel Corporation, Jabil Circuit, Lucent Technologies, Microsoft, Plexus Corp., Sanmina-SCI Corporation, Solectron Corporation, StorageTek and Sun Microsystems.

#### Distributors' Position Paper on Lead Free Product Transition and RoHS Compliance

<http://www.nedassoc.org/leadfree.pdf>

NEDA is a not-for-profit trade association representing distributors of electronic components and their manufacturer-suppliers, dedicated to the enhancement of the distributor-manufacturer relationship. NEDA represents companies involved in the distribution of electronic components and parts, computer and computer peripheral components and test, measurement and control equipment and their manufacturer-suppliers. NEDA members in support of this position paper include: All American, Allied Electronics, Arrow Electronics, Avnet, Future Electronics, Marsh Electronics, Memic: Insight Electronics & Unique Technologies, Newark InOne, and TTI.

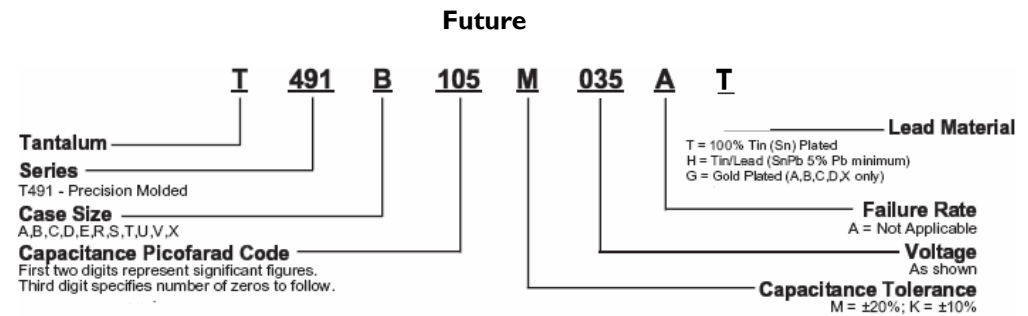
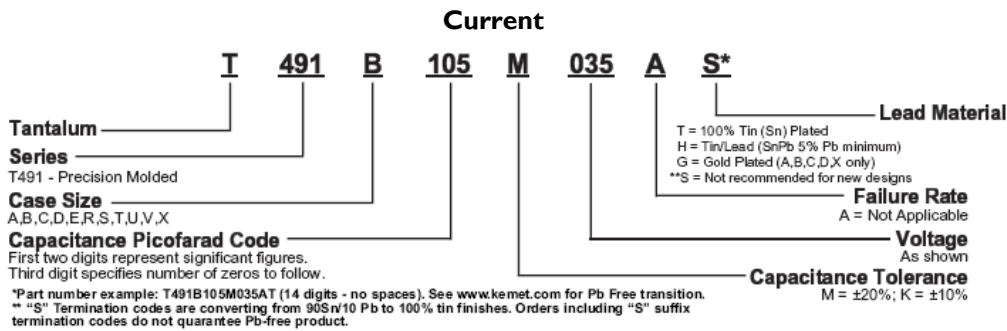
#### EMS Forum on Lead-Free PCB Assembly

<http://thor.inemi.org/webdownload/projects/ese/EMSF Guidelines.pdf>

The EMS Forum is an EMS industry-led consortium led by Celestica, Flextronics, Jabil, Plexus, and Sanmina-SCI. The group is dedicated to promoting the interests of EMS providers in topics applicable to this industry sector.

## Attachment 2 KEMET Part Numbering Scheme Options

### Tantalum MnO<sub>2</sub> T49x / T510 (excluding T492)



### Conductive Polymer (KO CAP) T520, T530

