

KEMET Ferrite Products (Inductors)

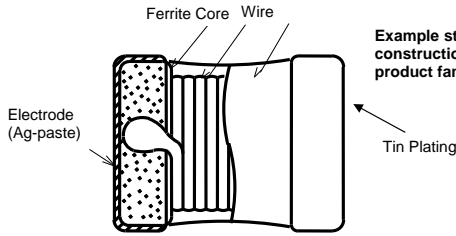
Revision C, 03 January 2013

Note: Information subject to change without notice. Monitor website regularly for updates. KEMET is not liable for any damages, direct or indirect, consequential or otherwise, that the reader might incur as a result of ignoring this warning, or that any third party might suffer as a result of the reader's ignoring this warning.

Characteristics and Typical Construction

Coated Resin

- Chip coils & beads
- Power Inductors
- High Q inductors
- Low-price and leaded inductors
- Matte Tin finish terminations standard
- Products support manufacture of RoHS-compliant EEE



Example style only. See catalog for construction details regarding specific product families.

RoHS Restricted Substance Content

Key for Determining Adherence to China RoHS and EU 2011/65/EU Content Criteria¹
 ○ = ≤ MCV, X = > MCV, X = > MCV, but EU RoHS Compliant with Exemption(s)

KEMET Product	Series	Substance and MCV ¹ Termination Code	Restricted Substance						Compliant Version			China RoHS Symbol ²
			Cd < 0.01%	Cr ⁶⁺ < 0.1%	Pb < 0.1%	Hg < 0.1%	PBB < 0.1%	PBDE < 0.1%	Series	Available since	Standard since	
Multi-layer Ferrite Chip Beads	BK, BKP	Standard (only available option)	✓	✓	✓	✓	✓	✓	All	Dec-06	Dec-06	⓪
Wire Wound Ferrite Chip Beads	FBMH, FBMJ		✓	✓	✓	✓	✓	✓	All	Dec-06	Dec-06	⓪
Multi-layer Chip Inductors	CK, CKP, HK, HKQ, LK		✓	✓	✓	✓	✓	✓	All	Dec-06	Dec-06	⓪
Wire Wound Chip Inductors	BRL, CBC, CBL, CBMF, LB, LBM, LBMF		✓	✓	✓	✓	✓	✓	All	Dec-06	Dec-06	⓪
Magnetic Shielded Inductors	NR		✓	✓	✓	✓	✓	✓	All	Dec-06	Dec-06	⓪

¹MCV = Maximum Concentration Values per 2011/65/EU and China RoHS criteria.

²China RoHS Symbol based on current manufacturing. Refer to notes in Pb column for transition dates.

Soldering Capability Characteristics

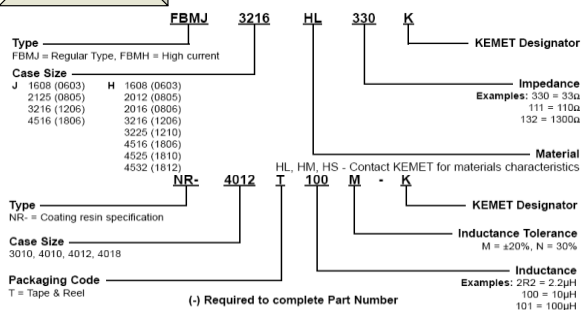
	Rectangular Ferrite Chip Beads	Wire Wound Chip Inductors	Magnetic Shielded Inductors	Multi-layer Chip Inductors	Multi-layer Ferrite Chip Beads
Termination Material	Copper				
Termination Plating (Barrier)	100% Matte Tin (Nickel)				
Peak Temperature Capability	260°C	250°C	240°C	260°C	260°C
Soldering Process Compatibility	Backward & Forward Compatible				
MSL Rating per J-STD-020C	Not Classified ³				
Tin Whisker Test Results	Class 2				

³MSL not classified for KEMET inductors. J-STD-020 is applicable to non-hermetic surface mount devices, and is intended for plastic package components, so they are not susceptible to these effects. If an MSL were required, the rating this product would be considered MSL 1 or better.

⁴Per EIA/ECA component bulletin CB19, tin whiskering is not considered a reliability risk within the passive component industry for non-Military / Hi-Rel applications.

Ordering

See product catalog for part numbering conventions of other series.



Identification

Note: The reel label indicator is not always available for this product family. The absence of the indicator in this case means the product in China RoHS compliant.

Reel level **KEMET EZ ID** label indicates product content relative to substance restrictions of the EU RoHS Directive, 2011/65/EU and China RoHS.
RoHS-PRC = Meets criteria without exemption
RoHS-EU = Meets criteria with exemption
RoHS-NO = Does not meet criteria

