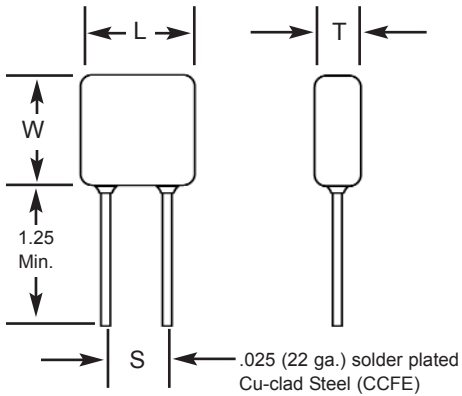


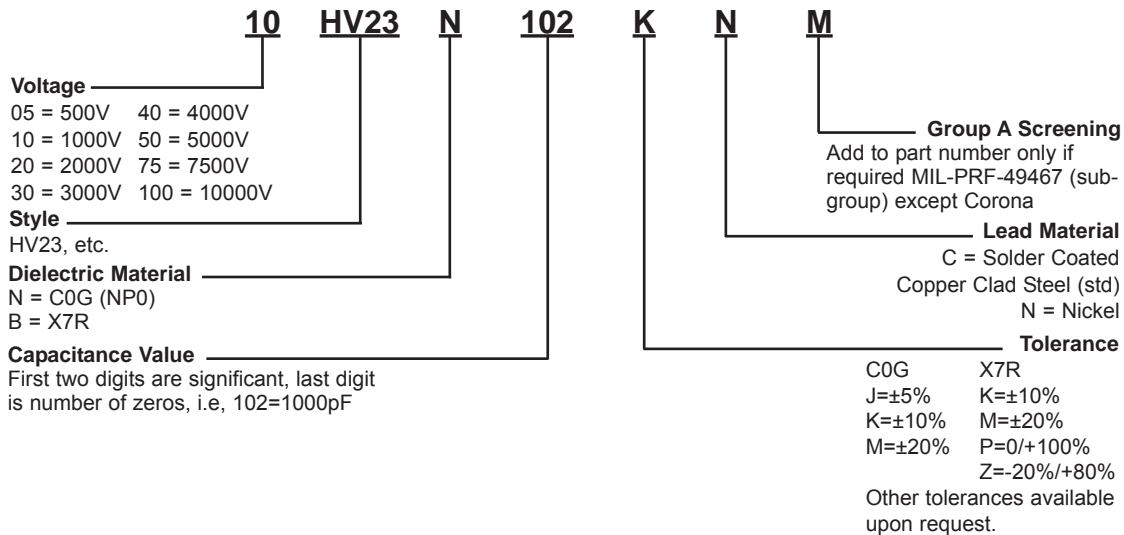
**CAPACITOR OUTLINE DRAWING**



**DIMENSIONS**

Style	Sizes in Inches (mm) max.			Lead Spacing ±0.030 (S)
	Length (L)	Width (W)	Thickness (T)	
HV20	.250 (6.35)	.220 (5.59)	.200 (5.08)	.170 (4.32)
HV21	.320 (8.13)	.280 (7.11)	.250 (6.35)	.220 (5.59)
HV22	.370 (9.40)	.300 (7.62)	.250 (6.35)	.275 (6.98)
HV23	.470 (11.94)	.400 (10.16)	.270 (6.89)	.375 (9.52)
HV24	.570 (14.48)	.500 (12.70)	.270 (6.89)	.475 (12.06)
HV25	.670 (17.02)	.600 (15.24)	.270 (6.89)	.575 (14.60)
HV26	.770 (19.56)	.720 (18.29)	.270 (6.89)	.675 (17.14)
HV30	.450 (11.43)	.220 (5.59)	.200 (5.08)	.300 (7.62)
HV31	.550 (13.97)	.280 (7.11)	.250 (6.35)	.400 (10.16)
HV33	.850 (21.59)	.400 (10.16)	.270 (6.89)	.700 (17.78)
HV34	1.050 (26.67)	.500 (12.70)	.270 (6.89)	.975 (24.76)
HV35	1.250 (31.75)	.600 (15.24)	.270 (6.89)	1.175 (29.84)
HV36	1.450 (36.83)	.720 (18.29)	.270 (6.89)	1.375 (34.92)

**PART NUMBER AND ORDERING INFORMATION**



**MARKING**

(HV20, HV21)	(All Other Sizes)
103K	HV24A103K
1 kV	1 kV
KEC	KEC
Date Code	Date Code

# High Voltage Radial Conformally Coated Ceramic Capacitors HV Series

## COG DIELECTRIC

STYLE		HV20				HV21				HV22				HV23					HV24					HV25					HV26								
Cap	L MAX	.250 (6.35)				.320 (8.13)				.370 (9.40)				.470 (11.94)					.570 (14.48)					.670 (17.02)					.770 (19.56)								
	W MAX	.220 (5.59)				0.280 (7.11)				.300 (7.62)				.400 (10.16)					.500 (12.70)					.600 (15.24)					.720 (18.29)								
	T MAX	.200 (5.08)				.250 (6.35)				.250 (6.35)				.270 (6.86)					.270 (6.86)					.270 (6.86)					.270 (6.86)								
	S± .030	.170 (4.32)				.220 (5.59)				.275 (6.98)				.375 (9.52)					.475 (12.06)					.575 (14.60)					.675 (17.14)								
	Lead Dia. +0.004/-0.002	.025 (.635)				.025 (.635)				.025 (.635)				.025 (.635)					.025 (.635)					.025 (.635)					.025 (.635)								
	Cap Code	WVDC				WVDC				WVDC				WVDC					WVDC					WVDC					WVDC								
	500	1k	2k	3k	500	1k	2k	3k	500	1k	2k	3k	500	1k	2k	3k	4k	500	1k	2k	3k	4k	5k	500	1k	2k	3k	4k	5k	500	1k	2k	3k	4k	5k		
12pF	120																																				
15	150																																				
18	180																																				
22	220																																				
27	270																																				
33	330																																				
39	390																																				
47	470																																				
56	560																																				
68	680																																				
82	820																																				
100	101																																				
120	121																																				
150	151																																				
180	181																																				
220	221																																				
270	271																																				
330	331																																				
390	391																																				
470	471																																				
560	561																																				
680	681																																				
820	821																																				
1000	102																																				
1200	122																																				
1500	152																																				
1800	182																																				
2200	222																																				
2700	272																																				
3300	332																																				
3900	392																																				
4700	472																																				
5600	562																																				
6800	682																																				
8200	822																																				
0.01uF	103																																				
0.012	123																																				
0.015	153																																				
0.018	183																																				
0.022	223																																				
0.027	273																																				
0.033	333																																				
0.039	393																																				
0.047	473																																				
0.056	563																																				
0.068	683																																				
0.082	823																																				
0.10	104																																				



# High Voltage Radial Conformally Coated Ceramic Capacitors HV Series

## X7R DIELECTRIC

STYLE		HV20			HV21			HV22			HV23				HV24					HV25					HV26															
Cap	L MAX	.250 (6.35)			.320 (8.13)			.370 (9.40)			.470 (11.94)				.570 (14.48)					.670 (17.02)					.770 (19.56)															
	W MAX	.220 (5.59)			.280 (7.11)			.300 (7.62)			.400 (10.16)				.500 (12.70)					.600 (15.24)					.720 (18.29)															
	T MAX	.200 (5.08)			.250 (6.35)			.250 (6.35)			.270 (6.86)				.270 (6.86)					.270 (6.86)					.270 (6.86)															
	S± .030	.170 (4.32)			.220 (5.59)			.275 (6.98)			.375 (9.52)				.475 (12.06)					.575 (14.60)					.675 (17.14)															
	Lead Dia. +0.004/-0.002	.025 (.635)			.025 (.635)			.025 (.635)			.025 (.635)				.025 (.635)					.025 (.635)					.025 (.635)															
	Cap Code	WVDC			WVDC			WVDC			WVDC				WVDC					WVDC					WVDC															
		500	1k	2k	500	1k	2k	3k	500	1k	2k	3k	500	1k	2k	3k	4k	500	1k	2k	3k	4k	5k	500	1k	2k	3k	4k	5k	500	1k	2k	3k	4k	5k					
270pF	271																																							
330	331																																							
390	391																																							
470	471																																							
560	561																																							
680	681																																							
820	821																																							
1000	102																																							
1200	122																																							
1500	152																																							
1800	182																																							
2200	222																																							
2700	272																																							
3300	332																																							
3900	392																																							
4700	472																																							
5600	562																																							
6800	682																																							
8200	822																																							
0.01uF	103																																							
0.012	123																																							
0.015	153																																							
0.018	183																																							
0.022	223																																							
0.027	273																																							
0.033	333																																							
0.039	393																																							
0.047	473																																							
0.056	563																																							
0.068	683																																							
0.082	823																																							
0.10	104																																							
0.12	124																																							
0.15	154																																							
0.18	184																																							
0.22	224																																							
0.27	274																																							
0.33	334																																							
0.39	394																																							
0.47	474																																							
0.56	564																																							
0.68	684																																							
0.82	824																																							
1.00	105																																							
1.20	125																																							
1.50	155																																							
1.80	185																																							
2.20	225																																							
2.90	295																																							

