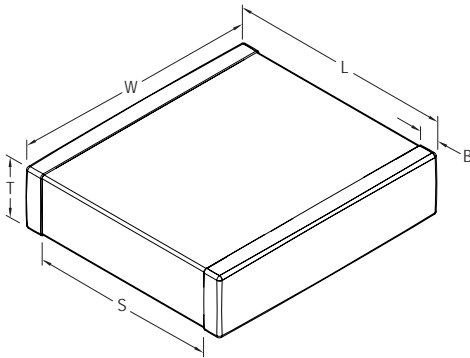


Dimensions – Millimeters (Inches)



Size Code	L Length	W Width	T Thickness Maximum	B Bandwidth	S Separation Minimum	Mounting Technique
2824	7.10 ± 0.40 (0.280 ± 0.016)	6.10 ± 0.40 (0.240 ± 0.016)	See Table 2	1.27 ± 0.40 (0.050 ± 0.016)	N/A	Solder Reflow Only
3040	7.60 ± 0.40 (0.300 ± 0.016)	10.20 ± 0.40 (0.402 ± 0.016)				
3640	9.10 ± 0.40 (0.358 ± 0.016)	10.20 ± 0.40 (0.402 ± 0.016)				
4540	11.40 ± 0.40 (0.449 ± 0.016)	10.20 ± 0.40 (0.402 ± 0.016)				

Qualification/Certification

Industrial grade pulse discharge products are subject to internal qualification. Details regarding test methods and conditions are referenced in Table 4, Performance and Reliability.

Environmental Compliance

Lead (Pb)-Free, RoHS, and REACH compliant without exemptions (excluding SnPb termination finish option).